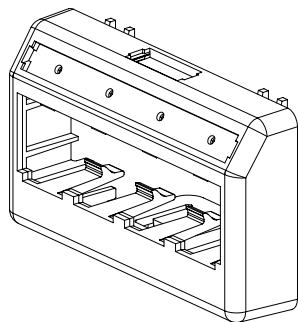
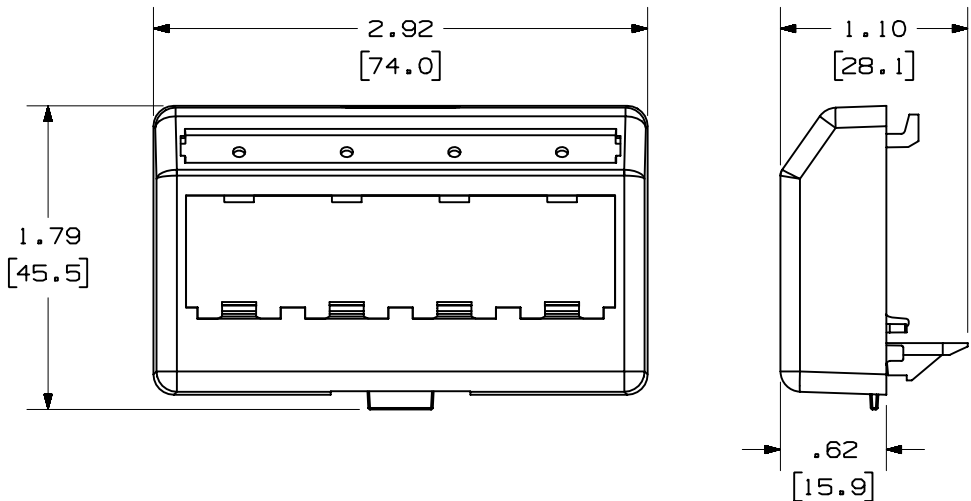


THIS COPY IS PROVIDED ON A RESTRICTED BASIS AND IS NOT TO BE USED IN ANY WAY DETRIMENTAL TO THE INTERESTS OF PANDUIT CORP.

PANDUIT P/N	WEIGHT
UICFFP4**	.20 LB/10 PCS (108.8 g/10 PCS)

NOTES:

- SEE CURRENT CATALOG FOR ADDITIONAL PART NUMBER SUFFIXES TO INDICATE COLOR AND OR PACKAGE QUANTITY.
- SEE CATALOG FOR COMPLETE LIST OF PARTS APPLICABLE FOR USE WITH THIS PART.
- DIMENSIONS IN PARENTHESES ARE IN METRIC.
- FACEPLATE SNAPS INTO STANDARD FURNITURE OPENING. (1.375 X 2.710)
- PART INCLUDES:
 - 1- FURNITURE FACEPLATE
 - 1- 4 POSITION CLEAR LABEL COVER
 - 1- 1 POSITION CLEAR LABEL COVER
- LABELS SOLD SEPARATELY.



MODEL FILENAME	M01213BK_UICFFP4_08.PRT	SIZE	A
DRAWING FILENAME	M01213BK_DC_08B.PRT		

MINI-COM™ ULTIMATE ID™ 4 POSITION FURNITURE FACEPLATE CUSTOMER DRAWING

<p>PANDUIT® CORP. TINLEY PARK, IL 60477</p>	I.I. NUMBER	N/A
	PRODUCT SPEC	N/A
<p>THIRD ANGLE PROJECTION</p>	WORK INSTRUCTION	N/A
	SCALE	FULL
DRAWN BY JsP	MATERIAL:	PART NO. UICFFP4**
DATE 8-27-02	ABS	DRAWING NO. 01213-02
CHK'D JAJP		

REV	DATE	BY	CHK	DESCRIPTION	ECN	R	CUST	SUP	OTH
I	2-3-03	JsP		A. ADDED MATERIAL TO DRAWING.	01213-02				
R	8-27-02	JsP	JAJP	RELEASED TO PRODUCTION	01213-02				