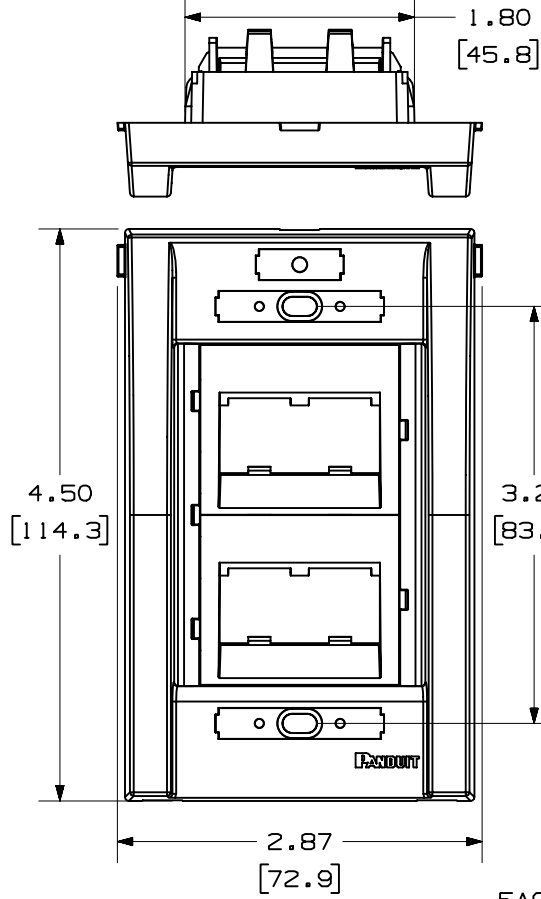
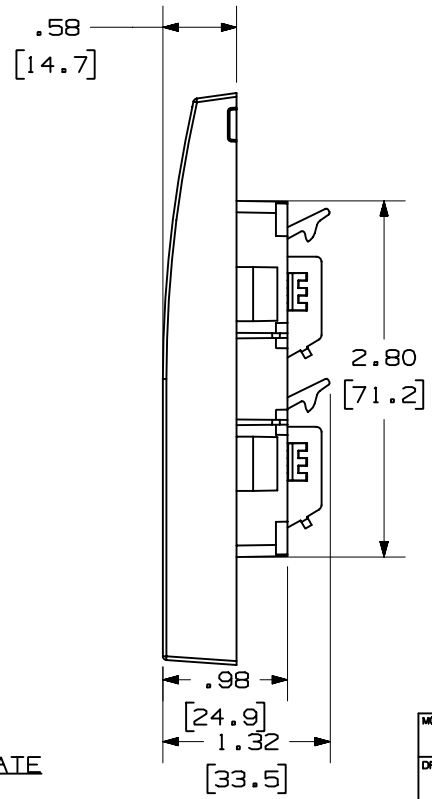


THIS COPY IS PROVIDED ON A RESTRICTED BASIS AND IS NOT TO BE USED IN ANY WAY DETRIMENTAL TO THE INTERESTS OF PANDUIT CORP.

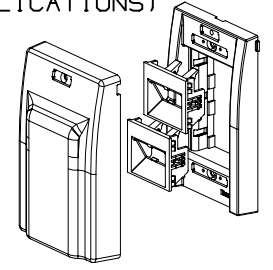


PANDUIT P/N	WEIGHT
UICFPRTR4**	1.55 LB/10 PCS (704.0 g/10 PCS)



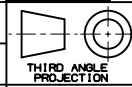
FACEPLATE

- NOTES:
- SEE CURRENT CATALOG FOR ADDITIONAL PART NUMBER SUFFIXES TO INDICATE COLOR AND OR PACKAGE QUANTITY.
  - SEE CATALOG FOR COMPLETE LIST OF PARTS APPLICABLE FOR USE WITH THIS PART.
  - DIMENSIONS IN PARENTHESES ARE IN METRIC.
  - PART INCLUDES:
    - 1- FACEPLATE
    - 1- TAMPER RESISTANT COVER
    - 1- CLEAR SCREW COVER
    - 1- COLOR COORDINATED SCREW COVER
    - 2- CLEAR LABEL COVER
    - 2- MOUNTING SCREW
    - 2- 30° SLOPED RECESSED 1/2 INSERT (CHSRE2\*\*)
    - 1- TAMPER RESISTANT SCREW FOR COVER
    - 1- PHILLIPS HEAD SCREW FOR COVER
  - MOUNTING RECOMMENDATIONS:
    - MOUNT TO MWBA1 (OR EQUIVALENT) SINGLE GANG WALL BOARD ADAPTER
    - IF IN-WALL BOX IS USED, DEPTH MUST BE MIN. OF 2.125 [53.98] (FOR COPPER APPLICATIONS)



MODEL FILENAME	MO1340AF_UICFPRTR4_ASM_04.PRT	SIZE	A
DRAWING FILENAME	MO1340AF_DC_04A.PRT		

MINI-COM™ ULTIMATE ID™ 4 POSITION  
RECESSED FACEPLATE WITH TAMPER RESISTANT  
COVER CUSTOMER DRAWING



ALL DIMENSIONS ARE GIVEN IN INCHES, UNLESS OTHERWISE SPECIFIED.  
DIMENSIONAL TOLERANCES ARE:  
(.X) ± (.XXX) ± .010(.3)  
(.XX) ± .03(.8) ANGLES ±

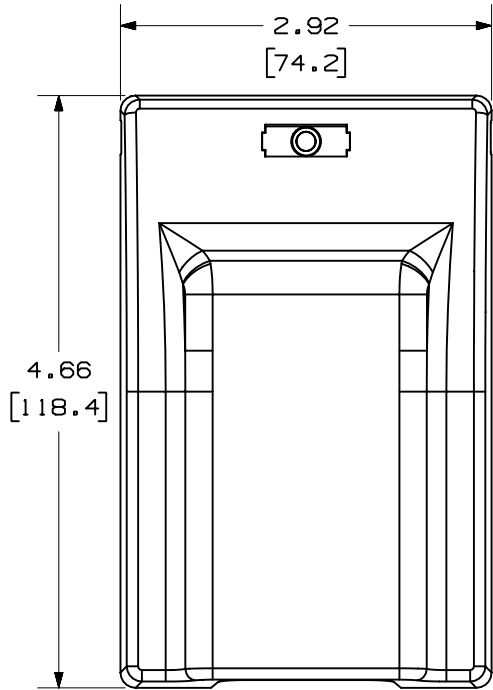
I.I. NUMBER	N/A
PRODUCT SPEC	N/A
WORK INSTRUCTION	N/A
SCALE	NONE
PART NO.	UICFPRTR4**
DRAWING NO.	01340-07 PAGE 1 OF 2

REV	DATE	BY	CHK	DESCRIPTION	ECN	R	CUST	SUP	OTH
R	7-24-02	JsP		RELEASED TO PRODUCTION	01340-06				

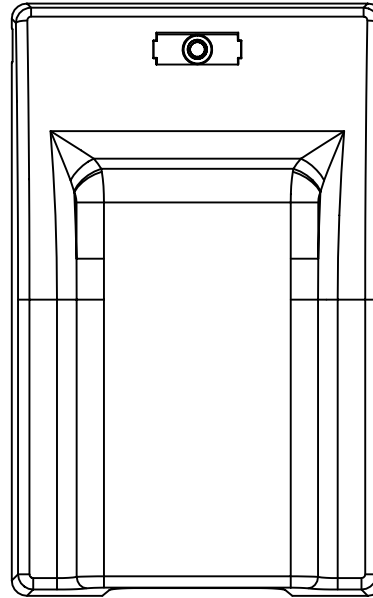
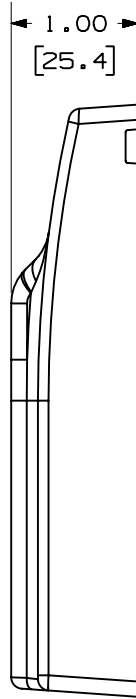
DRAWN BY JsP  
DATE 7-24-02  
MATERIAL: ABS



THIS COPY IS PROVIDED ON A RESTRICTED BASIS AND IS NOT TO BE USED IN ANY WAY DETRIMENTAL TO THE INTERESTS OF PANDUIT CORP.



COVER



COVER AND BASE  
ASSEMBLED

MODEL FILENAME	MO1340AF_UIICFPRTR4_ASM_04.PRT	SIZE	A
DRAWING FILENAME	MO1340AF_DC_004A.PRT		

MINI-COM™ ULTIMATE ID™ 4 POSITION  
RECESSED FACEPLATE WITH TAMPER RESISTANT  
COVER CUSTOMER DRAWING

REV	DATE	BY	CHK	DESCRIPTION	ECN	R	CUST	SUP	OTH
R	7-24-02	JsP		RELEASED TO PRODUCTION	01340-06				

<p>PANDUIT™ CORP. TINLEY PARK, ILL 60477</p>	I.I. NUMBER	N/A
	PRODUCT SPEC	N/A
<p>THIRD ANGLE PROJECTION</p>	WORK INSTRUCTION	N/A
	SCALE	NONE
DRAWN BY JsP	PART NO.	UIICFPRTR4**
DATE 7-24-02	MATERIAL: ABS	
CHK'D	DRAWING NO.	01340-07 PAGE 2 OF 2

ALL DIMENSIONS ARE GIVEN IN INCHES,  
UNLESS OTHERWISE SPECIFIED.  
DIMENSIONAL TOLERANCES ARE:  
(.X) ± (.XXX) ± .010(.3)  
(.XX) ±.03(.8) ANGLES ±

REVIEW DRAWING NUMBERS