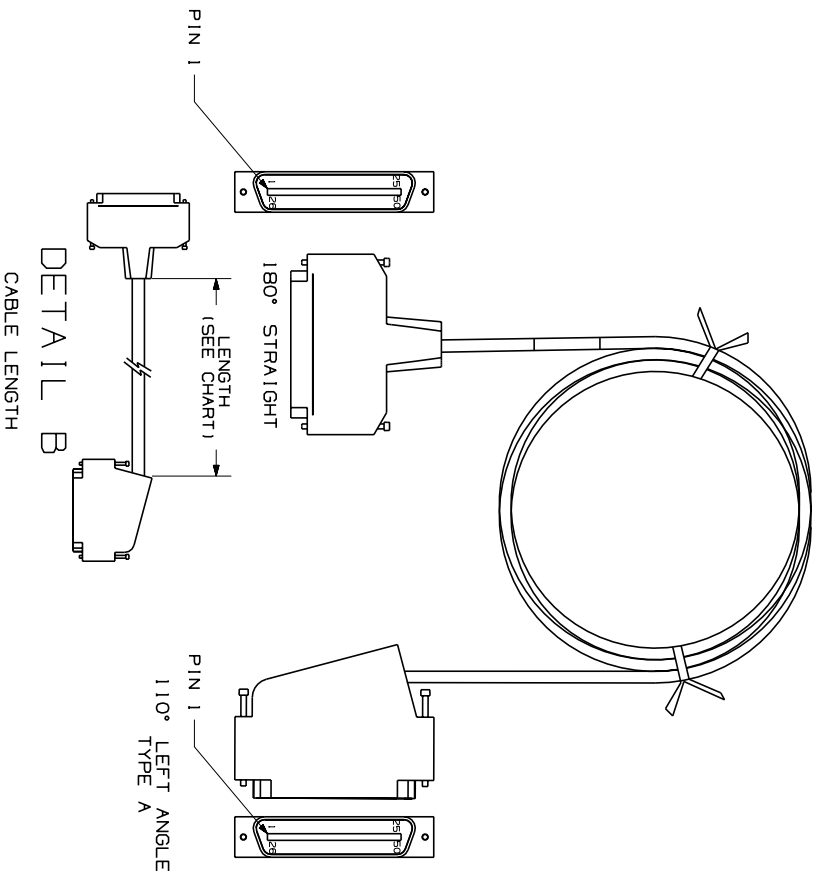


THIS COPY IS PROVIDED ON A RESTRICTED BASIS AND IS NOT TO BE USED IN ANY WAY DETRIMENTAL TO THE INTERESTS OF PANDUIT CORP.



PART NUMBER	LENGTH	WEIGHT
UTPCH8SL25Y	+6" (152.41) / -2" (50.81)	1.20 LB/EACH (545 G/EACH)
UTPCH10SL25Y	8' (2438.4)	1.44 LB/EACH (654 G/EACH)
UTPCH15SL25Y	10' (3048)	2.05 LB/EACH (932 G/EACH)
UTPCH20SL25Y	15' (4572)	2.66 LB/EACH (1209 G/EACH)
UTPCH6SL25Y	20' (6096)	.96 LB/EACH (435 G/EACH)

- NOTES:
1. SEE CURRENT CATALOG TO INDICATE PACKAGE QUANTITY.
 2. SEE CATALOG FOR COMPLETE LIST OF PARTS APPLICABLE FOR USE WITH THIS PART.
 3. MATES WITH FEMALE RJ21 CONNECTOR AND 10/100 BASE T PATCH PANEL.
 4. CATEGORY 5 AND POWER SUM RATED.
 5. DIMENSIONS IN PARENTHESES ARE IN METRIC.

CAD FILENAME/LAYERS
M02479KJ_DC271_00A.PRT

PANDUIT
CORP., TINLEY PARK, ILLINOIS

25 PAIR PATCH CORD ASSEMBLY
ONE 110° LEFT RJ21 MALE CONNECTOR
AND ONE 180° RJ21 MALE CONNECTOR
(UTPCH1X1SL25Y) CUSTOMER DRAWING

UNLESS OTHERWISE SPECIFIED,
DIMENSIONAL TOLERANCES ARE:
(.X) ± .010(.3)
(.XXX) ± .010(.3)
(.XX) ± .031(.8) ANGLES ±

UNLESS OTHERWISE SPECIFIED,
ALL DIMENSIONS ARE GIVEN
IN INCHES, THIRD ANGLE PROJECTION.

DRAWN BY: NER
MATERIAL: NONE

DATE: 3-20-06
CONNECTOR HSG: UL94 V-0 THERMOPLASTIC
CABLE JACKET: PVC

CHECKED BY: NER
DRAWING NO.: 02479-271

REV	DATE	BY	CHK	DESCRIPTION	ECN	CHK	CUST	SUP
R	3-20-06	NER		RELEASED TO PRODUCTION.	02479-271			

+



+