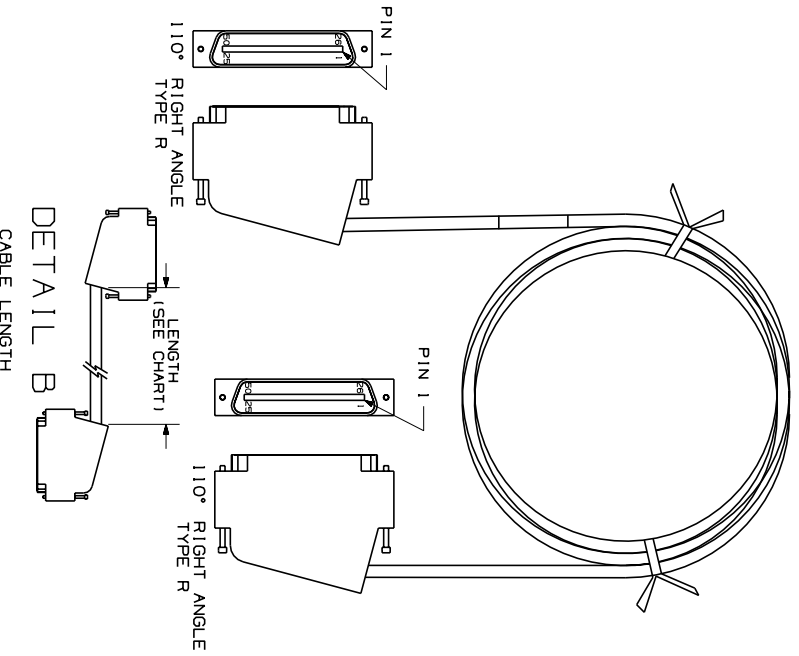


THIS COPY IS PROVIDED ON A RESTRICTED BASIS AND IS NOT TO BE USED IN ANY WAY DETRIMENTAL TO THE INTERESTS OF PANDUIT CORP.



PART NUMBER	LENGTH	WEIGHT
UTPCH8R25Y	8' (2438.4)	1.20 LB/EACH (545 G/EACH)
UTPCH10R25Y	10' (3048)	1.44 LB/EACH (654 G/EACH)
UTPCH15R25Y	15' (4572)	2.05 LB/EACH (932 G/EACH)
UTPCH20R25Y	20' (6096)	2.66 LB/EACH (1209 G/EACH)
UTPCH6R25Y	6' (1829)	.98 LB/EACH (435 G/EACH)

- NOTES:
1. SEE CURRENT CATALOG TO INDICATE PACKAGE QUANTITY.
 2. SEE CATALOG FOR COMPLETE LIST OF PARTS APPLICABLE FOR USE WITH THIS PART.
 3. MATES WITH FEMALE RJ21 CONNECTOR AND 10/100 BASE T PATCH PANEL.
 4. CATEGORY 5 AND POWER SUM RATED.
 5. DIMENSIONS IN PARENTHESES ARE IN METRIC.

CAD FILENAME/LAYERS: M02479KK_DC272_00A.PRT

PANDUIT

CORP., TINLEY PARK, ILLINOIS

25 PAIR PATCH CORD ASSEMBLY
TWO 110° RIGHT RJ21 MALE CONNECTORS
(UTPCH(X)R25Y) CUSTOMER DRAWING

UNLESS OTHERWISE SPECIFIED, DIMENSIONAL TOLERANCES ARE: (.X) ± .010(.3) (.XX) ± .031(.8) ANGLES ±		UNLESS OTHERWISE SPECIFIED, ALL DIMENSIONS ARE GIVEN IN INCHES, THIRD ANGLE PROJECTION.	
DATE	3-20-06	DRAWING NO.	02479-272
CHECKED BY	NER	SCALE	NONE
CONNECTOR HSG:	UL94 V-0 THERMOPLASTIC	CABLE JACKET:	PVC
REV	R	DATE	3-20-06
BY	NER	CHK	
DESCRIPTION	RELEASED TO PRODUCTION.		
ECN	02479-272	CUST	