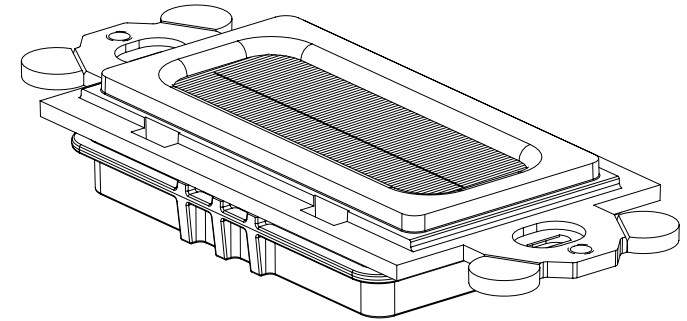
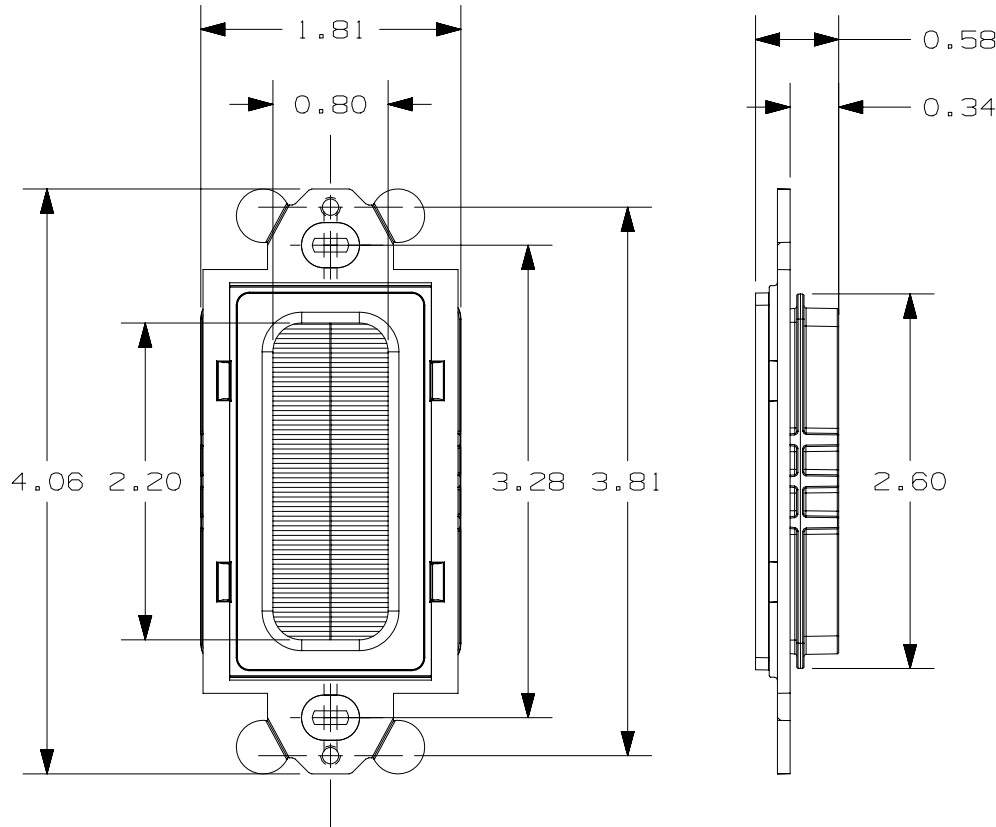
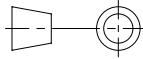


THIS COPY IS PROVIDED ON A RESTRICTED BASIS AND IS NOT TO BE USED IN ANY WAY DETRIMENTAL TO THE INTERESTS OF PANDUIT CORP.

NOTES:

1. VISIT OUR ON-LINE CATALOG AT WWW.PANDUIT.COM FOR A LIST OF CURRENT PARTS APPLICABLE FOR USE WITH THIS PRODUCT.
2. DIMENSIONS IN [] ARE METRIC.
3. WEIGHT: 20.37g
4. PART INCLUDES: (2) #6-32x1 PANHEAD SCREWS FOR ATTACHMENT TO GFCI FACEPLATE. FACEPLATE NOT INCLUDED



PART NUMBER		CFGB**		
TITLE		BRUSH INSERT FOR GFCI FACPLATE		
		CUSTOMER DRAWING		
ITEM REVISION NAME		00141MAA/00		
DATASET FILE NAME		00141MAA_DC02/00A		
		THIRD ANGLE PROJECTION		
MATERIAL		FRAME : ABS		
DRAWING NUMBER		00141MAA-02		
REV	DATE	BY	CHK	APR
00	01/22/18	MDJR	ROJC	AMY
INITIAL RELEASE				
00141MAA-02				
DRAWN BY		DATE	CHK	SCALE
MDJR		01/22/18	ROJC	NONE
DESCRIPTION				ECN
SHEET 1 OF 1				SIZE
				A

A-SIZE CUSTOMER

2

1

2

1