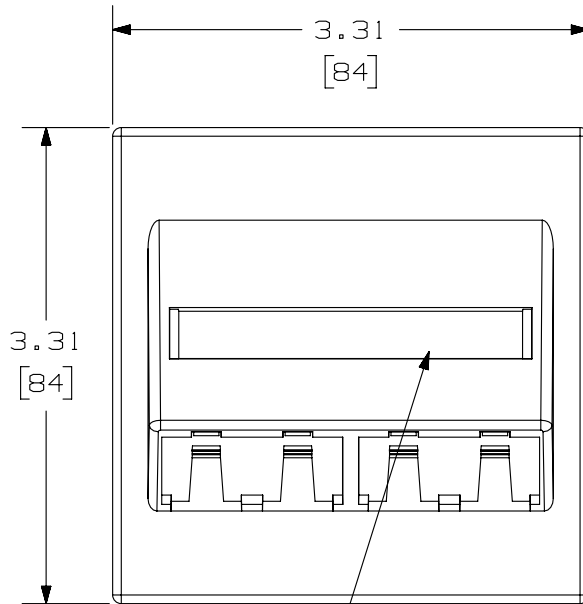
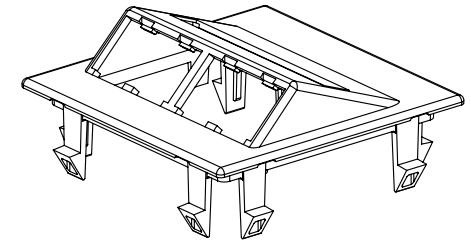


THIS COPY IS PROVIDED ON A RESTRICTED BASIS AND IS NOT TO BE USED IN ANY WAY DETRIMENTAL TO THE INTERESTS OF PANDUIT CORP.

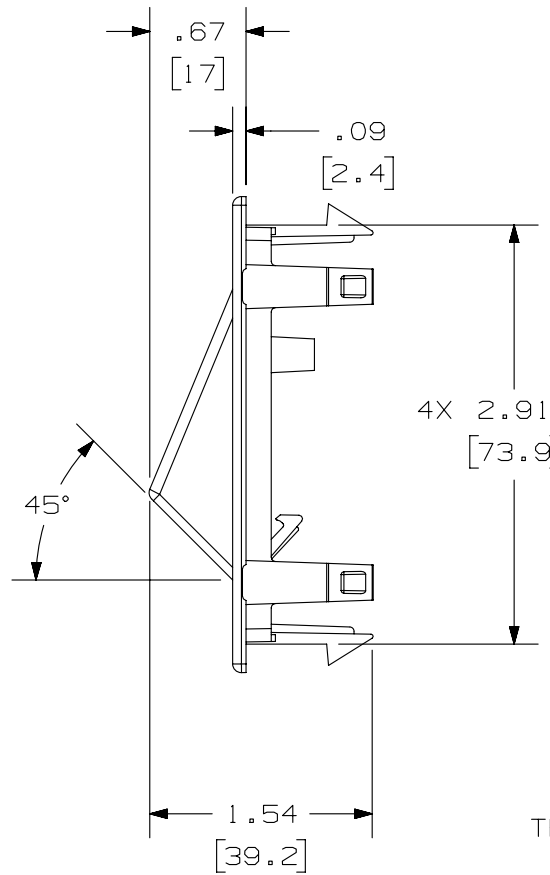
PANDUIT P/N	WEIGHT
CFTSL4**	.64 LB/10 PCS (289.0 g/10 PCS)

NOTES:

- SEE CURRENT CATALOG FOR ADDITIONAL PART NUMBER SUFFIXES TO INDICATE COLOR AND OR PACKAGE QUANTITY.
- SEE CATALOG FOR COMPLETE LIST OF PARTS APPLICABLE FOR USE WITH THIS PART.
- DIMENSIONS IN [ ] ARE IN METRIC.
- FACEPLATE ACCEPTS 4 MINI-COM JACKS.
- PART INCLUDES:
  - 1- FACEPLATE
  - 1- LABEL
  - 1- LABEL COVER
- FACEPLATE WORKS WITH THORSMAN TRUNKING T5507003 (INKA), T5507000 (INKA), AND T5526010 (TEK).



LABEL HOLDER



THORSMAN IS A TRADEMARK OF THORSMAN & CO. AB CORPORATION, NYKOPING, SWEDEN.

PART NUMBER		CFTSL4**	
TITLE			
MINI-COM 4 POSITION SLOPED FACEPLATE FOR USE WITH THORSMAN TRUNKING			
CUSTOMER DRAWING			
ITEM REVISION NAME		M00976BC/02	
DATASET FILE NAME		M00976BC_DC/02E	
UNLESS OTHERWISE SPECIFIED, DIMENSIONAL TOLERANCES ARE: IN [mm]		MATERIAL:	
.x ± .xxx ± .010 [ .3 ]		ABS	
.xx ± .03 [ .8 ]		DRAWING NUMBER:	
ANGLES ±		00976-02	
THIRD ANGLE PROJECTION		SHT 1 OF 1	
DRAWN BY	DATE	CHK	SCALE
JSP	2/22/01	MECA	NONE
REV	DATE	BY	CHK
3	4/22/14	JSP	REFR
APR	DESCRIPTION		ECN
MMR	REVISED AND REDRAWN, PREVIOUS REVISIONS HAVE BEEN OMITTED.		00976-02

D10100DA/14