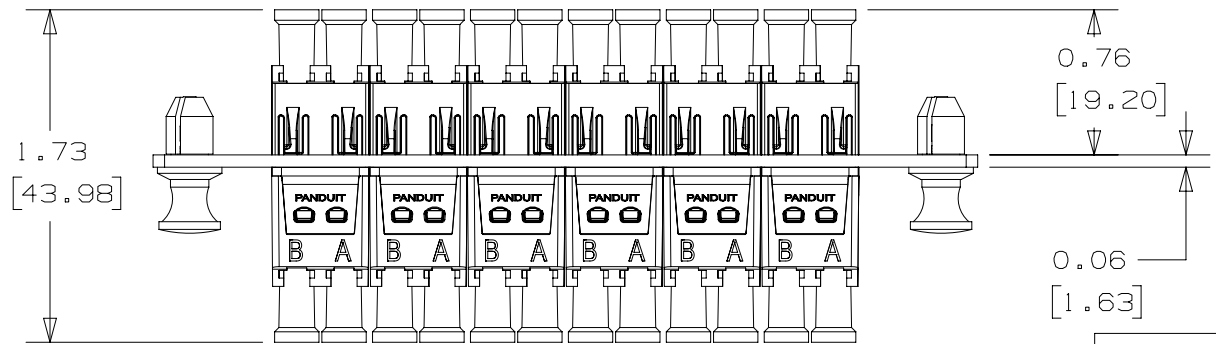


2

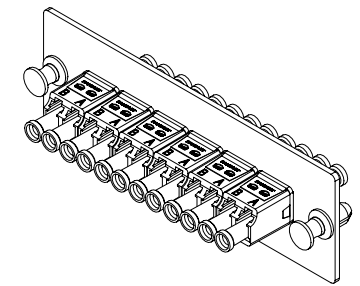
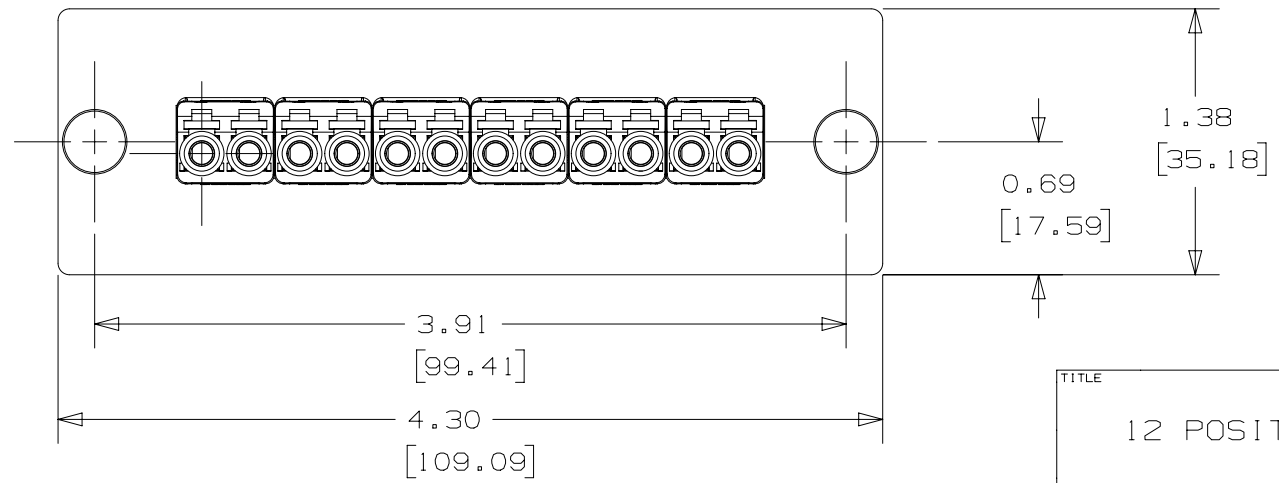
1

THIS COPY IS PROVIDED ON A RESTRICTED BASIS AND IS NOT TO BE USED IN ANY WAY DETRIMENTAL TO THE INTERESTS OF PANDUIT CORP.



- NOTES:
1. SEE CURRENT CATALOG FOR PART NUMBER SUFFIXES TO INDICATE COLOR AND/OR PACKAGE QUANTITIES.
 2. SEE CATALOG FOR COMPLETE LIST OF PARTS APPLICABLE FOR USE WITH THIS PRODUCT.
 3. MATERIALS:
 - a. PLATE: C.R.S. POWDER COATED
 - b. ADAPTER: COMPOSITE, AQUA OR BLUE
 - c. SPLIT SLEEVE: SEE TABLE
 4. DIMENSIONS IN [] ARE METRIC.

PANDUIT P/N	WEIGHT	SPLIT SLEEVE TYPE
FAP12WAQLCZ	1.28 lb/10 Pcs. [580.6 g/10 Pcs.]	ZIRCONIA
FAP12WBULCZ	1.28 lb/10 Pcs. [580.6 g/10 Pcs.]	ZIRCONIA



TITLE		12 POSITION LC FIBER ADAPTER PANEL	
CUSTOMER DRAWING		PANDUIT	
ITEM REVISION NAME			
M01945DX/00		FAP12WAQLCZ FAP12WBULCZ	
DATASET FILE NAME		DRAWING NUMBER:	
M01945DX_DC/00A		01945-167	
UNLESS OTHERWISE SPECIFIED, DIMENSIONAL TOLERANCES ARE: IN (mm)			
.x ± .03 (0.8)		.xxx ± .010 (0.3)	
.xx ± .03 (0.8)		ANGLES ±	
		THIRD ANGLE PROJECTION	
DRAWN BY	DATE	CHK	SCALE
BSN	11-30-16	WJM	NONE
REV	DATE	BY	CHK
00	11-30-16	BSN	WJM
APR	DESCRIPTION	ECN	SIZE
RELEASED TO PRODUCTION	01945-167		A

00	11-30-16	BSN	WJM	TMK	RELEASED TO PRODUCTION	01945-167
REV	DATE	BY	CHK	APR	DESCRIPTION	ECN

2

1