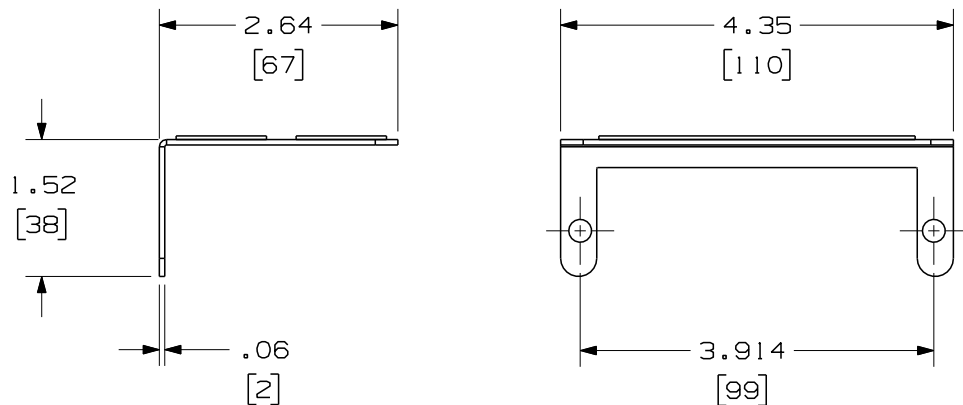


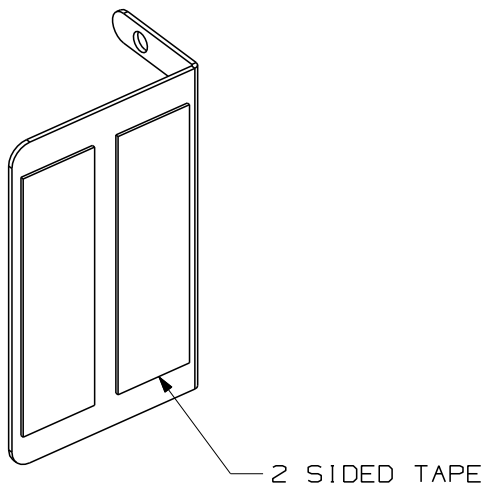
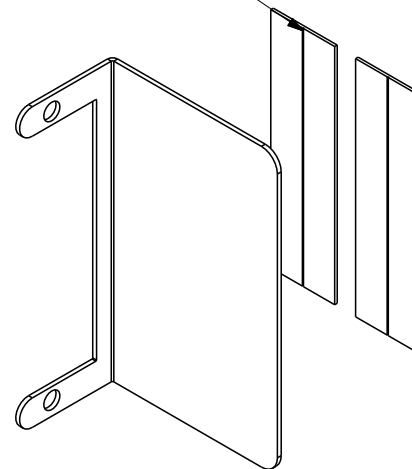
THIS COPY IS PROVIDED ON A RESTRICTED BASIS AND IS NOT TO BE USED IN ANY WAY DETRIMENTAL TO THE INTERESTS OF PANDUIT CORP.



NOTES:

1. SEE CURRENT CATALOG FOR PART NUMBER SUFFIXES TO INDICATE COLOR AND/OR PACKAGE QUANTITIES.
2. SEE CATALOG FOR COMPLETE LIST OF PARTS APPLICABLE FOR USE WITH THIS PRODUCT.
3. MATERIAL: POWDER COATED C.R.S. PLATE.
4. ALL DIMENSIONS IN BRACKETS ARE METRIC

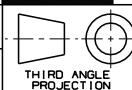
MAGNETIC STRIPS POSITIONED WITH GROOVES TOWARD THE 2 SIDED TAPE AS SHOWN



FIBER ENCLOSURE ADAPTER PANEL 0 RU 90°
CUSTOMER DRAWING



PANDUIT™
CORP.
TINLEY PARK, ILL 60477



THIRD ANGLE
PROJECTION
DRAWN BY
MTV

DATE
07-12-06

CHK'D
MTV

ALL DIMENSIONS ARE GIVEN IN INCHES,
UNLESS OTHERWISE SPECIFIED.
DIMENSIONAL TOLERANCES ARE:
(.X) (.XXX) ± .010 (0.3)
(.XX) ± .03 (0.8) ANGLES

REVIEW DRAWING NUMBERS

SEE NOTES

DRAWING FILENAME
MO2160BH_DC_00B.prt

SCALE
NONE

PART NO.
FEABRUA

DRAWING NO.
02160-03

SIZE
A

REV	DATE	BY	CHK	DESCRIPTION	ECN	R	CUST	SUP	OTH
01	10-31-06	MC		RELEASED TO PRODUCTION	02160-03				