

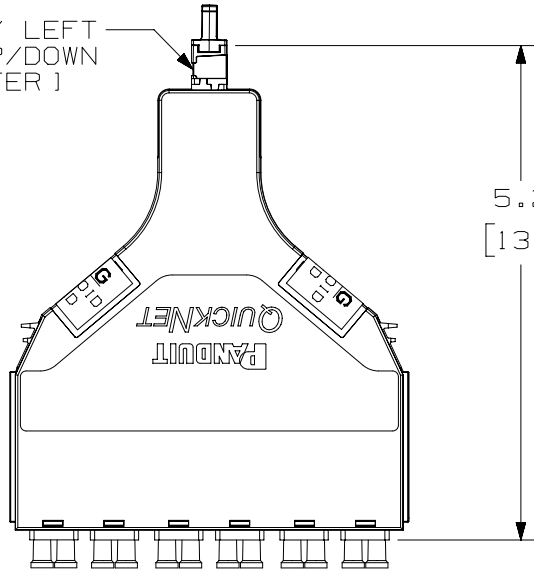
THIS COPY IS PROVIDED ON A RESTRICTED BASIS AND IS NOT TO BE USED IN ANY WAY DETRIMENTAL TO THE INTERESTS OF PANDUIT CORP.

FIBER POSITION  
1 2 3 4 5 6 7 8 9 10 11 12



LEFT VIEW

MPO KEY LEFT  
[ KEY UP/DOWN  
ADAPTER ]



TOP VIEW

5.2  
[131]

4.2  
[106]

.8  
[21]

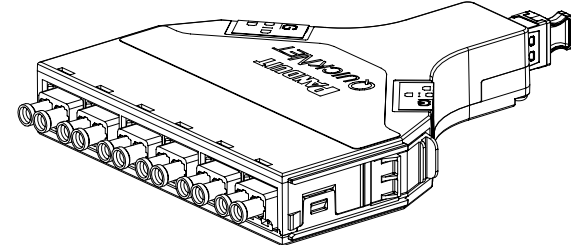
LC CONNECTOR  
LATCH DOWN

LC PORT POSITION

2 1 | 4 3 | 6 5 | 8 7 | 10 9 | 12 11

UNIVERSAL 12F - CASSETTE (U)												
MPO END / LC END	FIBER POSITION FROM MPO END TO LC END											
MPO POSITION	1	12	2	11	3	10	4	9	5	8	6	7
LC POSITION	1	2	3	4	5	6	7	8	9	10	11	12

- NOTES:
1. CASSETTE MODULE WEIGHT:  
2.4oz [69.0g]
  2. DIMENSIONS IN BRACKETS ARE METRIC.



TITLE				QUICKNET SFQ CASSETTE, 12 FIBER DUPLEX LC TO MPO CASSETTE METHOD U [ UNIVERSAL ]			
CUSTOMER DRAWING				<b>PANDUIT</b>			
ITEM REVISION NAME		M02947YB/01					
DATASET FILE NAME		M02947YB_DC/01A		DRAWING NUMBER:		M02947YB-DC	
UNLESS OTHERWISE SPECIFIED, DIMENSIONAL TOLERANCES ARE: IN [ mm ]				THIRD ANGLE PROJECTION			
.x ±		.xxx ± .010 [0.3]		DRAWN BY		SCALE	
.xx ± .03 [0.8]		ANGLES ±		SAT		NONE	
				DATE		SIZE	
				06-26-18		A	
CHK		PJI		SHT 1 OF 2			

REV	DATE	BY	CHK	APR	DESCRIPTION	ECN
01A	06-28-18	SAT	JGD	EJH	RELEASED TO PRODUCTION	M02947YB-DC

