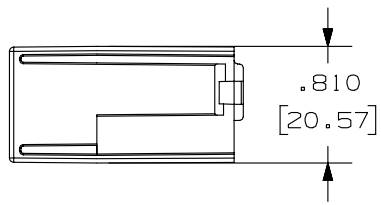
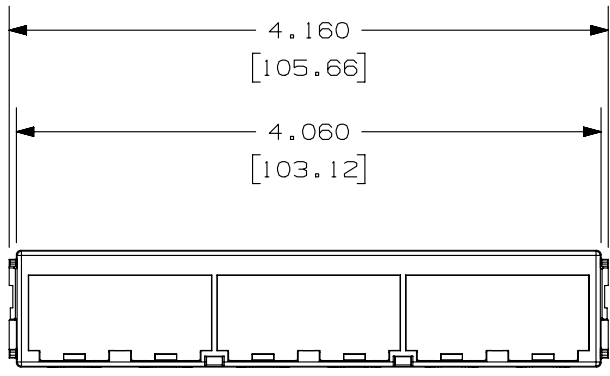


2

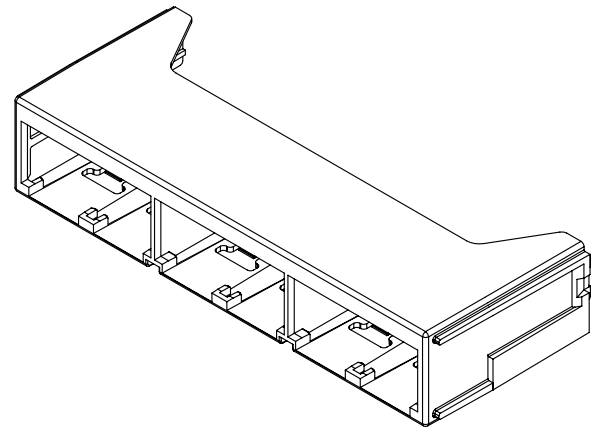
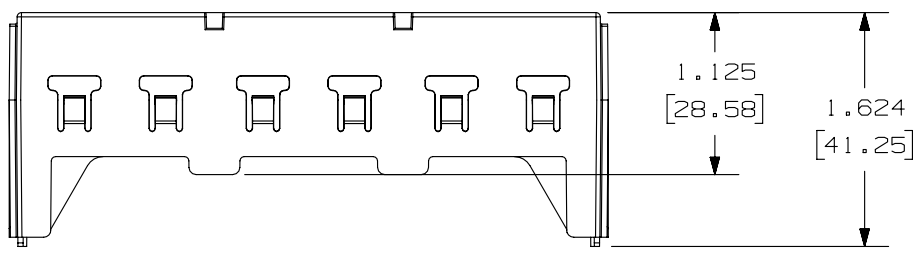
1

THIS COPY IS PROVIDED ON A RESTRICTED BASIS AND IS NOT TO BE USED IN ANY WAY DETRIMENTAL TO THE INTERESTS OF PANDUIT CORP.



| PANDUIT PART NUMBER | WEIGHT (APPOX.)  |
|---------------------|------------------|
| QPPABL              | 0.06 lbs (3.2 g) |

- NOTES:
1. SEE CURRENT CATALOG FOR VARIOUS APPLICATIONS.
  2. THE ADAPTER IS DESIGNED FOR USE WITH QUICKET PATCH PANELS.
  3. DIMENSIONS IN BRACKETS ARE IN METRIC.



|   |         |                   |       |
|---|---------|-------------------|-------|
| PART NUMBER   |         | QPPABL            |       |
| TITLE   |         |                   |       |
| MINI-COM 6 POSITION QUICKNET PATCH PANEL ADPATER                |         |                   |       |
| CUSTOMER DRAWING  |         |                   |       |
| ITEM REVISION NAME  |         | M02582BE/09       |       |
| DATASET FILE NAME   |         | M02582BE_DC36/08B |       |
| UNLESS OTHERWISE SPECIFIED, DIMENSIONAL TOLERANCES ARE: IN [mm] |         | MATERIAL:         |       |
| .x ± .xxx ± .010 [.3]   |         | ABS               |       |
| .xx ± .03 [.8] ANGLES ±   |         | DRAWING NUMBER:   |       |
| THIRD ANGLE PROJECTION  |         | 02582 - 36        |       |
| DRAWN BY  | DATE    | CHK               | SCALE |
| KSM   | 1-03-07 | WFM               | NONE  |
| SHT 1 OF 1  |         | SIZE              |       |
| A   |         | A                 |       |

| REV | DATE    | BY  | CHK  | APR  | DESCRIPTION  | ECN      |
|-----|---------|-----|------|------|--|----------|
| 2   | 5/23/14 | JSP | REFR | TMBA | REVISED AND REDRAWN, PREVIOUS REVISIONS HAVE BEEN OMITTED. | 02582-36 |

2

1

D10100DA/14