

# RJF 544

## Ethernet Connection System for Harsh Environment The Industrial Ethernet Solution

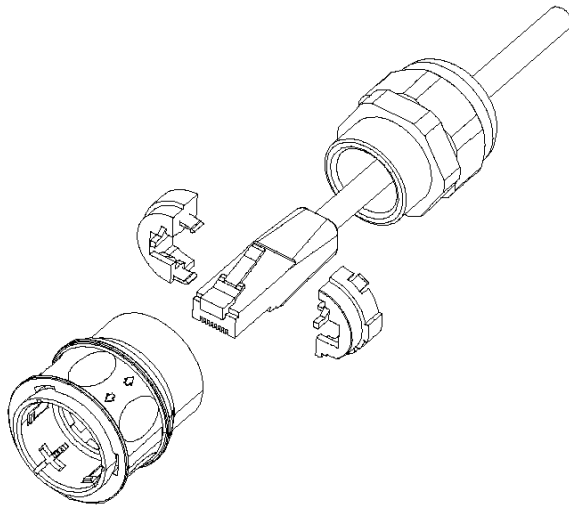
### Description

The RJField allows you to use an Ethernet Class D / Cat. 5e connection for 10 BaseT, 100 BaseTX or 1000 BaseT networks in harsh environments:

- Sealed against fluids and dusts (IP67)
- Shock, Vibration and Traction resistant
- No cabling operation in field and no tools required
- Improved EMI Protection

With the patented RJStop® system you can use a **standard RJ45 cordset** in a protective composite plug which will protect it from shocks, dust and fluids.

No hazardous in-field cabling and grounding !



This RJF 544 plug is connected into a receptacle, using a **quick** user-friendly **Push Pull** coupling mechanism.

On the receptacle, one female RJ45 is soldered onto a PCB allowing for the following back terminations :

- another female RJ45
- a RJ45 cordset
- a solder termination

The RJ45 cordset shielding is transmitted to the RJ45 receptacle through lateral grounding fingers.

For an outstanding EMI protection, a metallized (Ni) version of the RJF 544 receptacle is available and transmits the shielding directly to the panel.

**Amphenol** – 295 Kesmark, Dollard-des-Ormeaux, Quebec, Canada H9B 3J1  
Tel. : + 1 514 421 2153 - Fax : + 1 514 421 3408  
<http://www.RJField.com>



RJF awarded "Best Automatic Control Component"

**NEW**

<http://www.RJField.com>

Transform your RJ45 cordset into a **Push Pull** IP67 Connector !

### Applications

- Telecom Equipments
- Video Controls
- Robotics
- Industrial Process Control
- CNC Machines
- Special Machines
- Motion Control
- Tele-maintenance

DOC-000043-ANG-C April 2003 AALENA

**Amphenol**®

© Amphenol 2003 All rights reserved

# Main Characteristics

## Data Transmission

- 10 BaseT, 100 BaseTX and 1000 BaseT networks  
Cat 5e per TIA/EIA 568B and ClassD per ISO/IEC 11801

## Mechanical

- Quick Push Pull coupling
- RJ45 cordset retention in the plug : 100 N in the axis
- Mating cycles : 500 min

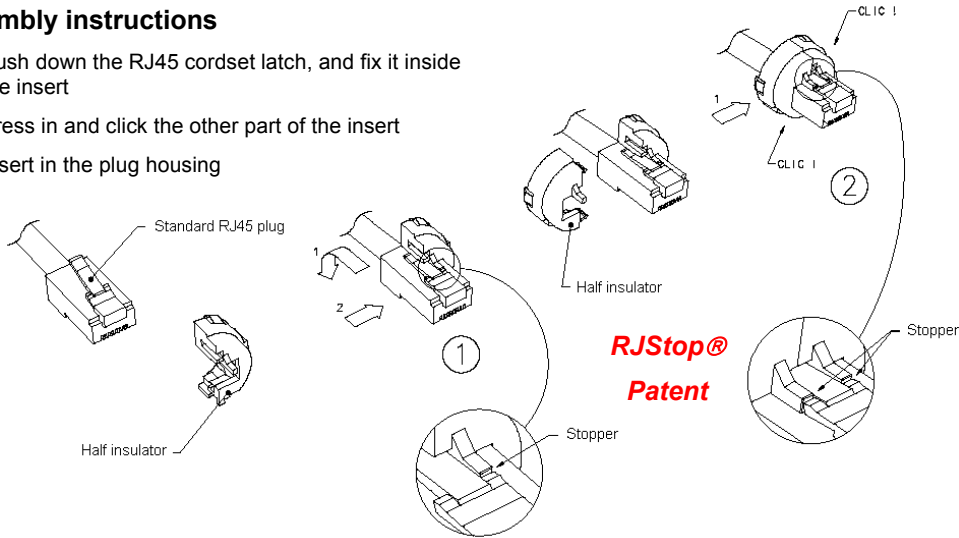
## Environmental Protection

- Sealing : IP67 with recommended 5 to 12 mm cable diameter
- Salt Spray > 1000 h
- Fire Retardant / Low Smoke : UL94 V0 and NFF 16102, DIN 5510-2
- Vibrations : 10 – 500 Hz, 10 g, 3 axes : no discontinuity > 10 nano s.
- Thermal Shock : 5 cycles at - 40°C / +100°C
- Operating Temperature : - 40°C / +85°C

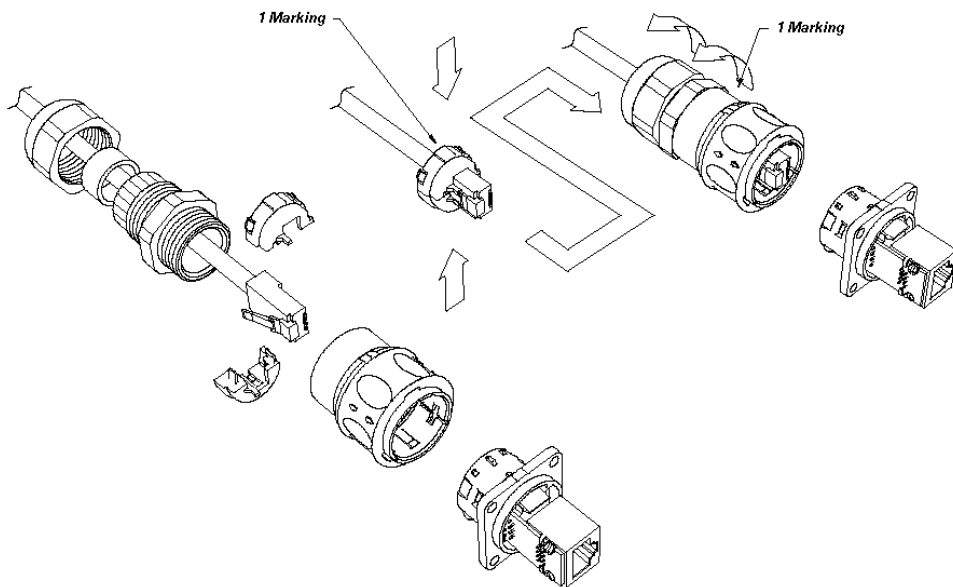
**Universal : Can be used with all standard \* RJ45 Cat.5e cordset brands**

## Assembly instructions

1. Push down the RJ45 cordset latch, and fix it inside the insert
2. Press in and click the other part of the insert
3. Insert in the plug housing



**Easy and Safe : No field cabling tool required**



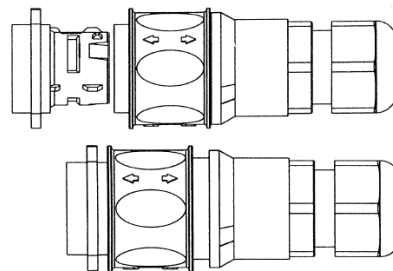
\* The RJStop® system allows the use of standard RJ45 cordsets regardless their Brand. However, Amphenol can also provide Cat5-5e cordsets with reinforced jacket to be used in harsh environments (shocks, oils, fuel,...).

# Locking and Unlocking sequences

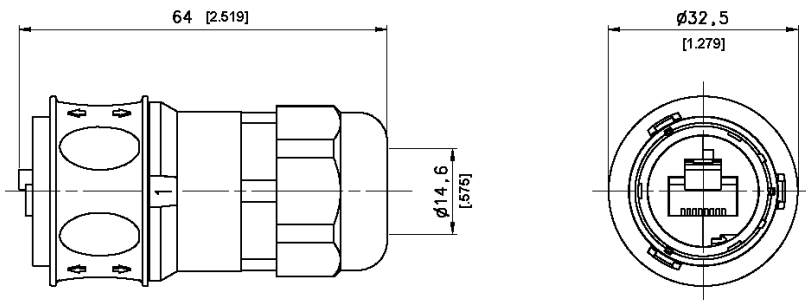
In unlocked position, the locking ring cannot move forward.

Once the plug has been inserted into the receptacle, the locking ring is free and can be pushed forward.

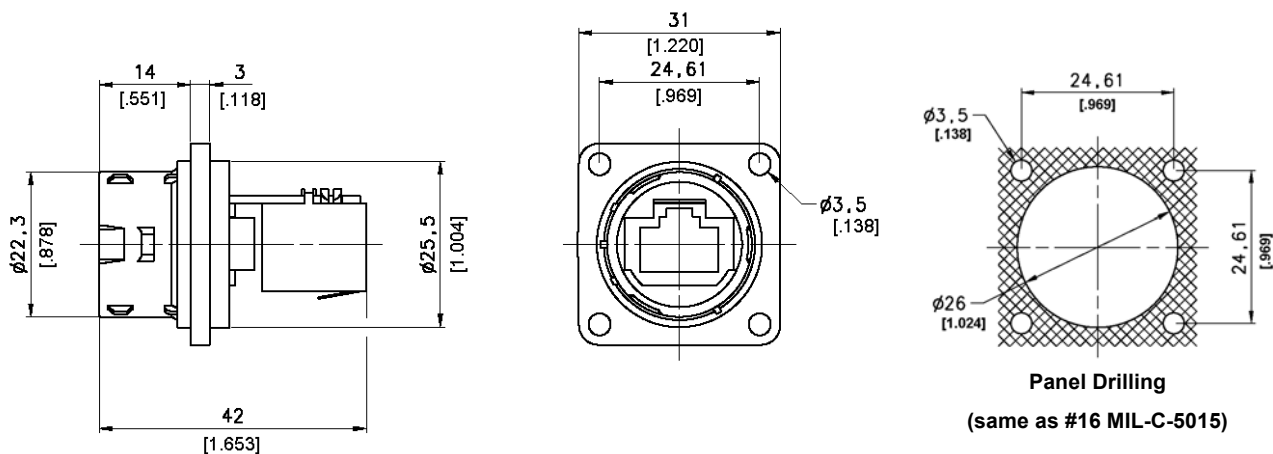
The connector is unlocked by pulling back the locking ring, and withdrawing the plug.



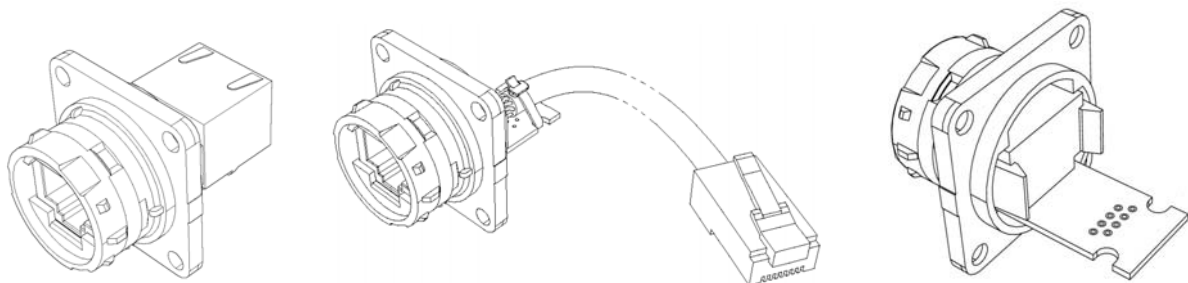
## Plug Type 6 Shell with Plastic Gland



## Receptacle Type 2 Shell : Square flange receptacle with 4 mounting holes



## Back Termination



Type 1 : Female RJ45

Type 2 : RJ45 Cordset

Type 2 - 00 : Solder – 8 tined holes

Notes : - Type 1 is also available with 90° female RJ45 : please consult factory for details

- Type 2 without RJ45 plug at the end of the cable is also available : please consult factory for details

# Part Number Code

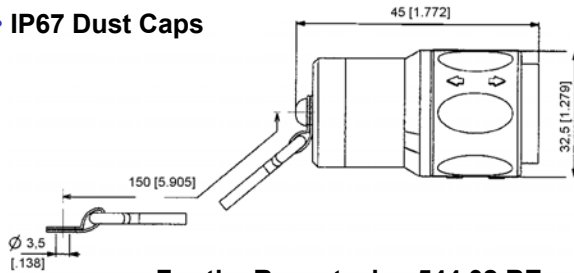
HOW TO ORDER

Series	RJF 544	2	2	03	100 BTX
RJField 544 - Push Pull					
<b>Shell Type</b>					
6 : Composite Push Pull Plug, Plastic Gland					
2 : Composite Square Flange Receptacle					
2M : Metallized (Ni) Composite Square Flange Receptacle					
<b>Back Termination (For Receptacles only)</b>					
1 : Female RJ45					
2 : RJ45 Cordset					
<b>Cordset Length (For Receptacles with "2" Back Termination only)</b>					
03 : 0.3 meters [11.81 inches]					
05 : 0.5 meters [19.68 inches]					
10 : 1 meter [39.37 inches]					
15 : 1.5 meters [59.05 inches]					
00 : 8 tined holes at the rear of the PCB to solder the cable					
<b>Cabling Configuration (For Receptacles with "2" Back Termination only)</b>					
100BTX : 10/100 Base TX					
568A					
568B					

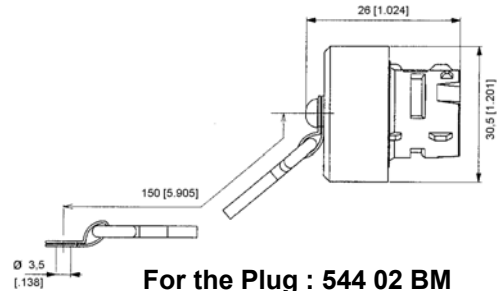
- Examples :
- Plug: RJF 544 6
  - Square flange receptacle, Female RJ45 Back termination: RJF 544 21
  - Metallized Square flange receptacle, Female RJ45 Back termination: RJF 544 2M 1
  - Square flange receptacle, 1,5m [59.05"] 100 BTX cordset termination: RJF 544 22 15 100BTX
  - Square flange receptacle, solder termination : RJF 544 22 00

## Accessories

- IP67 Dust Caps



For the Receptacle : 544 02 BE



For the Plug : 544 02 BM

- Panel Gasket (Thickness : 1 mm [.039]) : Part No. 544 02 JE

- Plug Insert removal tool : Part No. 5440 OT 02



- Cat5 and 5e cordsets with reinforced jacket to be used in harsh environments (shocks, oils, fuel,...). Please consult corresponding data sheet.

