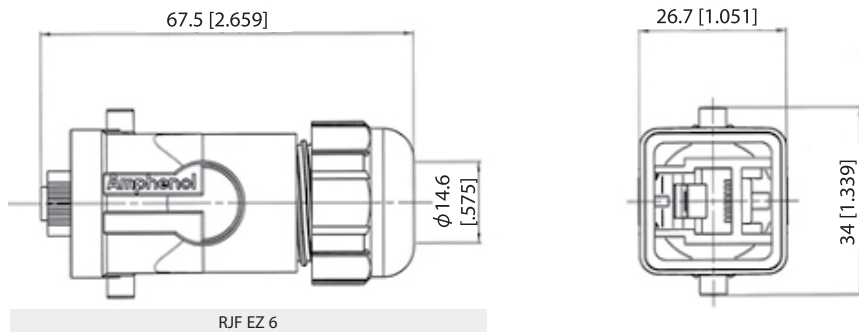
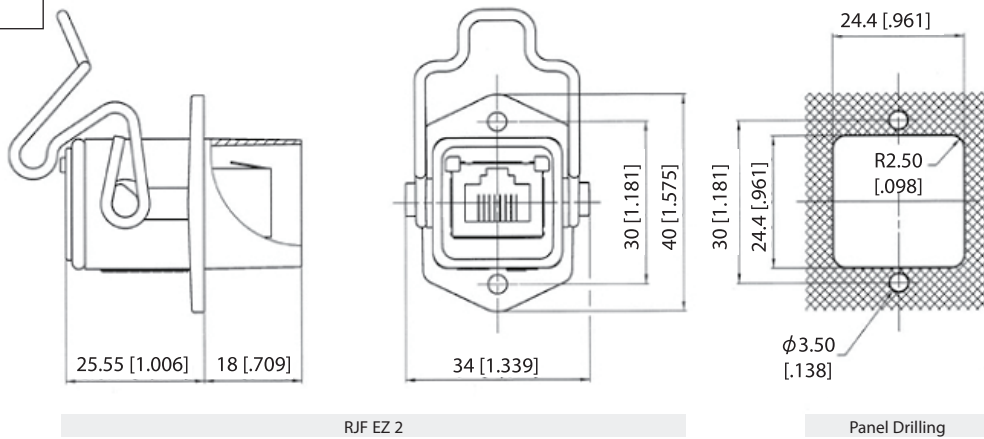




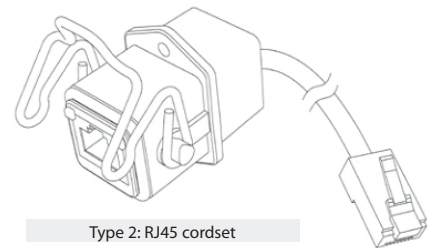
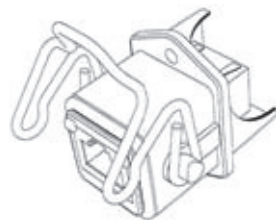
## Plug



## Receptacle

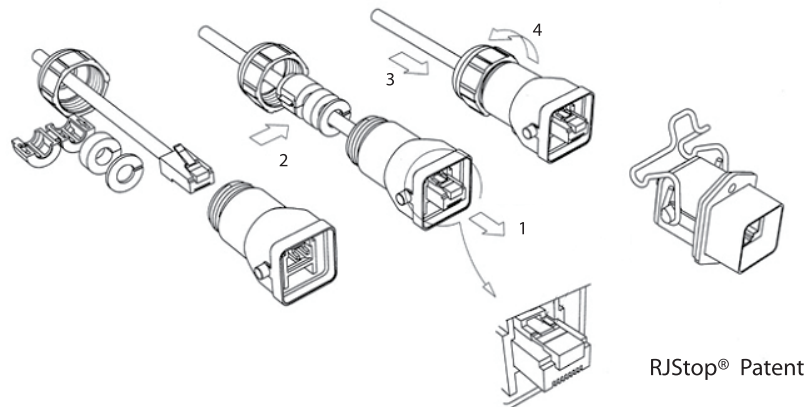


## Back Terminations



■ ■ Type 2 without RJ45 plug at the end of the cable is also available: consult factory

## Assembly Instructions



## Accessories

■ ■ **Dust Caps**  
For Plugs: **Not available**  
For Receptacles: **RJF EZ BE**



■ **Panel Gasket**  
Thickness: 1 mm [0.039]  
Part No. RJF EZ JE

