



Model Number

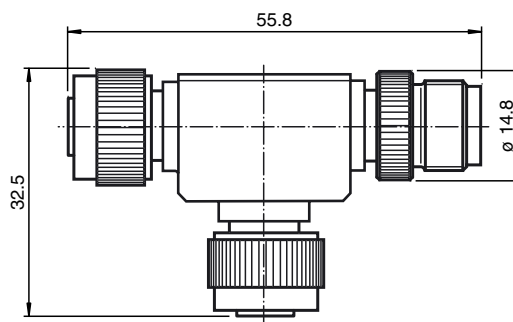
V15S-TEE-V15

T distributor, M12 socket on M12 connector/socket

Features

- Suitable for DeviceNet and CANopen
- Immunity to vibration
- Parallel distributor for bus connection (all pins bridged)

Dimensions



Technical data

General specifications

Number of pins	5
Coding	A

Electrical specifications

Operating voltage	U_B	60 V
Operating current		4 A
Volume resistance		< 5 m Ω

Ambient conditions

Ambient temperature	-25 ... 90 °C (-13 ... 194 °F)
Pollution Degree	3

Mechanical specifications

Degree of protection	IP65/IP67
Connection	1 x M12 socket 1 x M12 connector / 1 x M12 socket

Material

Contacts	CuZn
Contact surface	Ni/Au
Body	TPU
Slotted nut	Zinc die-casting, nickel-plated
Flammability	UL 94 HB

Compliance with standards and directives

Standard conformity	
Degree of protection	EN 60529

Electrical connection

