

Crimp contact - CK1,6-BR-1,00BU OIC AG - 1004381

Please be informed that the data shown in this PDF Document is generated from our Online Catalog. Please find the complete data in the user's documentation. Our General Terms of Use for Downloads are valid (<http://phoenixcontact.com/download>)




Crimp contact, contact diameter: 1.6 mm, rolled, Socket, contact material: Cu alloy, nickel-plated, contact surface: silver-plated, connection cross section: 0.34 mm² ... 1 mm² AWG 22 ... 17



COMPLIANT

Key Commercial Data

| | |
|------------------------|---|
| Packing unit | 7000 pc |
| Minimum order quantity | 7000 pc |
| GTIN |  4 055626 472577 |
| GTIN | 4055626472577 |

Technical data

Ambient conditions

| | |
|---------------------------------|-------------------|
| Ambient temperature (operation) | -40 °C ... 125 °C |
|---------------------------------|-------------------|

Mechanical characteristics

| | |
|---|--|
| Conductor cross section | 0.34 mm ² ... 1 mm ² |
| Connection cross section AWG | 22 ... 17 |
| Stripping length of the individual wire | 4 mm |
| Contact diameter | 1.6 mm |
| Insertion/withdrawal cycles | ≥ 50 |

General

| | |
|-----------------------|---|
| Type | Female contact for taped products |
| Connection method | Crimp connection |
| Contact type | rolled |
| Assembly instructions | max. crimping speed for 1 mm ² corresponds to a cycle time of 1 second |
| Connection | A tool for automatically processing these contacts on crimping devices can be obtained from U. Kolb GmbH, Neuer Weg 32, 71111 Waldenbuch, Germany, info@u-kolb-gmbh.de , Phone +49-(0)7157-7371-0. Order No.: 20.2001-1004380/4381, lubricant for crimp contacts: KMT 200 (wieds Ecochem AG) |

Crimp contact - CK1,6-BR-1,00BU OIC AG - 1004381

Technical data

Material data

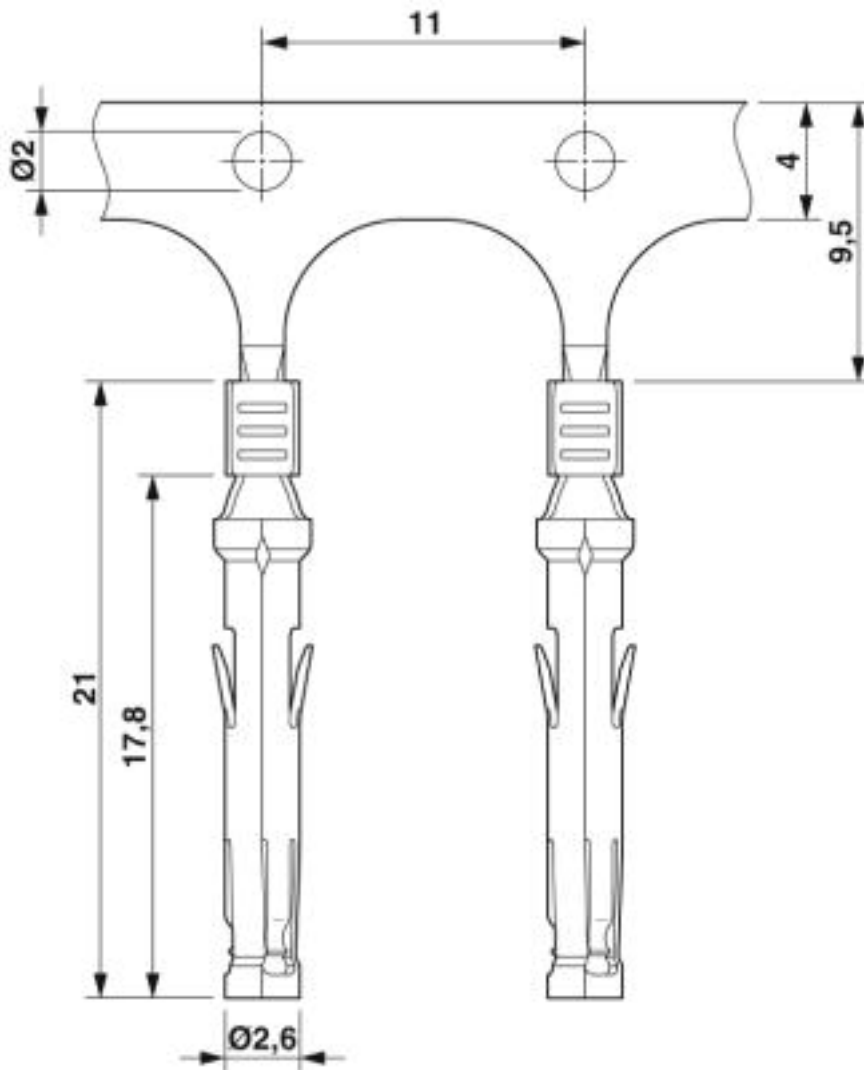
| | |
|--------------------------|-------------------------|
| Contact material | Cu alloy, nickel-plated |
| Contact surface material | silver-plated |

Environmental Product Compliance

| | |
|------------|---|
| China RoHS | Environmentally Friendly Use Period = 50 years |
| | For details about hazardous substances go to tab "Downloads", Category "Manufacturer's declaration" |

Drawings

Dimensional drawing



Crimp contact - CK1,6-BR-1,00BU OIC AG - 1004381

Classifications

eCl@ss

| | |
|---------------|----------|
| eCl@ss 10.0.1 | 27440204 |
| eCl@ss 5.1 | 27261200 |
| eCl@ss 6.0 | 27261200 |
| eCl@ss 7.0 | 27440204 |
| eCl@ss 8.0 | 27440204 |
| eCl@ss 9.0 | 27440204 |

ETIM

| | |
|----------|----------|
| ETIM 5.0 | EC000796 |
| ETIM 6.0 | EC000796 |
| ETIM 7.0 | EC000796 |

Accessories

Accessories

Assembly tool

Contact removal tool - VC-EW 1,6 - 1884869



Contact removal tool, for turned and rolled CK- 1.6-... contacts

Assembly tool - UNIFOX MT-CK 1.6/2.5 - 1089092



Assembly tool, for CK 1.6... crimp contacts for small conductor cross sections

Universal tools

Contact removal tool - UNIFOX RT-CK 1.6 - 1072069



Contact removal tool, for turned and rolled CK- 1.6-... contacts

Additional products

Crimp contact - CK1,6-BR-1,00BU OIC AG - 1004381

Accessories

Crimp contact - CK1,6-BR-1,00ST OIC AG - 1004380



Crimp contact, contact diameter: 1.6 mm, rolled, Pin, contact material: Cu alloy, nickel-plated, contact surface: silver-plated, connection cross section: 0.34 mm² ... 1 mm² AWG 22 ... 17

Phoenix Contact 2020 © - all rights reserved
<http://www.phoenixcontact.com>

PHOENIX CONTACT GmbH & Co. KG
Flachsmarktstr. 8
32825 Blomberg
Germany
Tel. +49 5235 300
Fax +49 5235 3 41200
<http://www.phoenixcontact.com>