

# Electronic housing - ECS-B-122X109-S-UV-NV GY - 1054706

Please be informed that the data shown in this PDF Document is generated from our Online Catalog. Please find the complete data in the user's documentation. Our General Terms of Use for Downloads are valid (<http://phoenixcontact.com/download>)

Screw locking non-vented enclosure of the ECS family. IP66/67/69 rated when mated with associated faceplate. Color: Grey (7042), Width: 164 mm, Height: 116 mm, Depth: 64 mm




## Your advantages

- Part of the EnviroCase System
- Suitable for outdoor/indoor applications
- IP66/IP67 rated with faceplate secured to the base
- Wall, panel, or pole mounting options
- Breather vent



## Key Commercial Data

|                        |   |
|------------------------|---|
| Packing unit           | 5 pc  |
| Minimum order quantity | 5 pc  |
| GTIN                   | <br>4 055626 689982 |
| GTIN                   | 4055626689982   |

## Technical data

### Item properties

|                 |   |
|-----------------|---|
| Type            | ECS-B-122X109-S-UV-NV GY                        |
| Order No.       | 1054706   |
| Housing type    | outdoor housings                                |
| Type            | Screw locking                                   |
| Impact strength | IK08  |
| Mounting type   | Wall or panel mount. Pole mount with accessory. |
| Type of locking | screw locking                                   |

### Measurements

|              |        |
|--------------|--------|
| Width [ w ]  | 164 mm |
| Height [ h ] | 116 mm |

# Electronic housing - ECS-B-122X109-S-UV-NV GY - 1054706

## Technical data

### Measurements

|             |       |
|-------------|-------|
| Depth [ d ] | 64 mm |
|-------------|-------|

### Material specifications

|  |                    |
|--|--------------------|
| Color (RAL)                            | gray (7042)        |
| Flammability rating according to UL 94 | V0                 |
| Housing material                       | PC (polycarbonate) |

### Ambient conditions

|                                 |                   |
|---------------------------------|-------------------|
| Ambient temperature (operation) | -40 °C ... 100 °C |
|---------------------------------|-------------------|

### PCB data

|               |                     |
|---------------|---------------------|
| PCB thickness | 1.59 mm ... 2.36 mm |
|---------------|---------------------|

### Packaging information

|                            |      |
|----------------------------|------|
| Pieces per package         | 5    |
| Denomination packing units | Pcs. |

### Standards and regulations

|  |    |
|--|----|
| Flammability rating according to UL 94 | V0 |
|--|----|

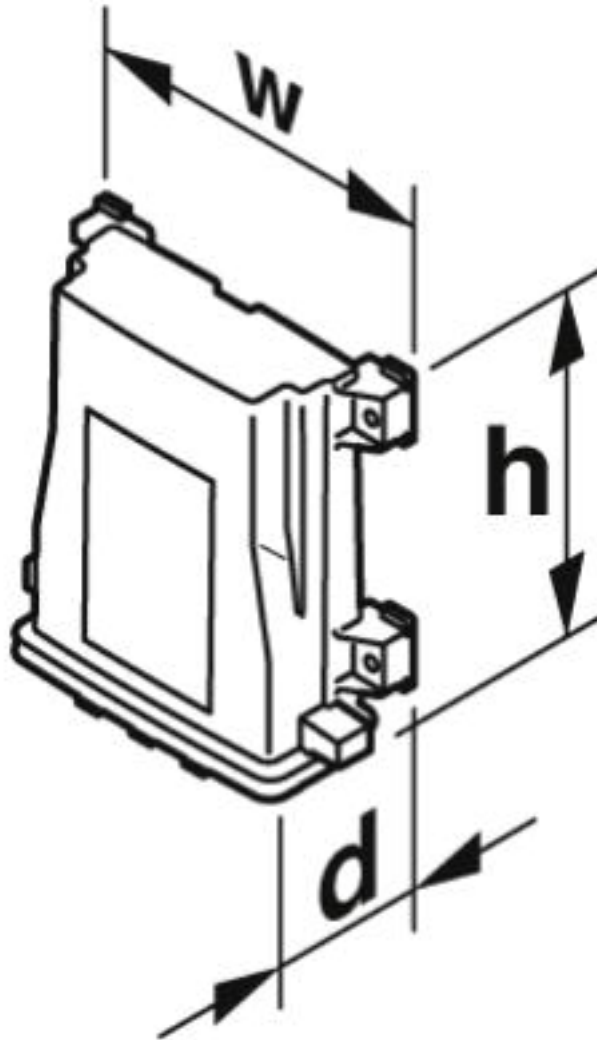
### Environmental Product Compliance

|            |   |
|------------|---|
| REACH SVHC | Lead 7439-92-1  |
| China RoHS | Environmentally friendly use period: unlimited = EFUP-e |
|            | No hazardous substances above threshold values          |

## Drawings

# Electronic housing - ECS-B-122X109-S-UV-NV GY - 1054706

Dimensional drawing



## Classifications

eCl@ss

|               |          |
|---------------|----------|
| eCl@ss 10.0.1 | 27182702 |
| eCl@ss 4.0    | 27180401 |
| eCl@ss 4.1    | 27180401 |
| eCl@ss 5.0    | 27180505 |
| eCl@ss 5.1    | 27180505 |
| eCl@ss 6.0    | 27180800 |
| eCl@ss 7.0    | 27182702 |
| eCl@ss 8.0    | 27182702 |
| eCl@ss 9.0    | 27182702 |

# Electronic housing - ECS-B-122X109-S-UV-NV GY - 1054706

## Classifications

### ETIM

|          |          |
|----------|----------|
| ETIM 3.0 | EC001031 |
| ETIM 4.0 | EC001031 |
| ETIM 5.0 | EC000058 |
| ETIM 6.0 | EC001031 |
| ETIM 7.0 | EC001031 |

### UNSPSC

|               |          |
|---------------|----------|
| UNSPSC 6.01   | 31261501 |
| UNSPSC 7.0901 | 31261501 |
| UNSPSC 11     | 31261501 |
| UNSPSC 12.01  | 31261501 |
| UNSPSC 13.2   | 31261501 |
| UNSPSC 18.0   | 31261501 |
| UNSPSC 19.0   | 31261501 |
| UNSPSC 20.0   | 31261501 |
| UNSPSC 21.0   | 31261501 |

## Accessories

### Additional products

Front plate - ECS-P-122X169-S-UV-B GY - 1050382

Screw locking blank faceplate of the ECS Family. IP66/67/69 rated when mated with associated enclosure. Color: Grey (7042), Width: 163 mm, Height: 30 mm, Depth: 62 mm



Front plate - ECS-P-122X169-S-UV-1M12 GY - 1050381

Screw locking one female M12 faceplate of the ECS Family. IP66/67/69 rated when mated with associated enclosure. Color: Grey (7042), Width: 163 mm, Height: 30 mm, Depth: 62 mm



Front plate - ECS-P-122X169-S-UV-CG GY - 1050380

Screw locking cable gland faceplate of the ECS Family. IP66/67/69 rated when mated with associated enclosure. Color: Grey (7042), Width: 163 mm, Height: 30 mm, Depth: 62 mm



## Electronic housing - ECS-B-122X109-S-UV-NV GY - 1054706

### Accessories

Front plate - ECS-P-122X169-S-UV-2M12 GY - 1050379



Screw locking two female M12 faceplate of the ECS Family. IP66/67/69 rated when mated with associated enclosure.  
Color: Grey (7042), Width: 163 mm, Height: 30 mm, Depth: 62 mm

Safety clip - ECS-BL - 2230012



Clip to prevent PCB from dropping from base when faceplate is removed.

Mounting brackets - ECS-PM - 2230013



Mounting set for mast mounting

Phoenix Contact 2020 © - all rights reserved  
<http://www.phoenixcontact.com>

PHOENIX CONTACT GmbH & Co. KG  
Flachsmarktstr. 8  
32825 Blomberg  
Germany  
Tel. +49 5235 300  
Fax +49 5235 3 41200  
<http://www.phoenixcontact.com>