

Patch panels - VS-PP-R-1XRJ45/RJ45 - 1404391

Please be informed that the data shown in this PDF Document is generated from our Online Catalog. Please find the complete data in the user's documentation. Our General Terms of Use for Downloads are valid (<http://download.phoenixcontact.com>)



Patchpanel, RJ45, Tragschienenmontage, IP20, 2 Steckplätze, Buchse-Buchse, CAT5e, Schirmung über Jumper wählbar

Key commercial data

Packing unit	0
Minimum order quantity	1
Catalog page	Page 198 (PC-2009)
GTIN	 4 046356 310406
Custom tariff number	85366990
Country of origin	GERMANY

Technical data

Mechanical characteristics

Number of positions	8
Number of slots	2
Connection method	female
External cable diameter	5 mm ... 8.5 mm
Color	green
Ambient temperature (operation)	- 15 °C ... 50 °C

Material data

Inflammability class according to UL 94	V0
Housing material	PVC
Contact material	Copper alloy
Degree of protection	IP20

Electrical characteristics

Number of positions	8
Transmission characteristics (category)	CAT5 (IEC 11801:2002), CAT5e (TIA 568B:2001)
Rated current	1 A

Patch panels - VS-PP-R-1XRJ45/RJ45 - 1404391

Classifications

eclass

eCl@ss 4.0	27140815
eCl@ss 4.1	27140815
eCl@ss 5.0	19030109
eCl@ss 5.1	19030109
eCl@ss 6.0	19170107
eCl@ss 7.0	19170112

etim

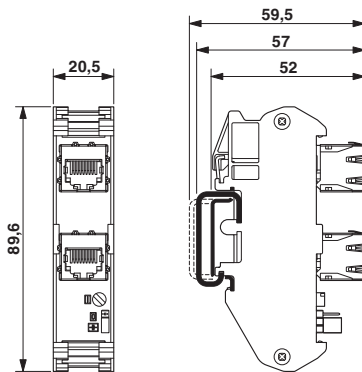
ETIM 2.0	EC000200
ETIM 3.0	EC001128
ETIM 4.0	EC001128

unspsc

UNSPSC 6.01	31261501
UNSPSC 7.0901	31261501
UNSPSC 11	31261501
UNSPSC 12.01	31261501
UNSPSC 13.2	31261501

Drawings

Dimensioned drawing



RJ45 patch panel