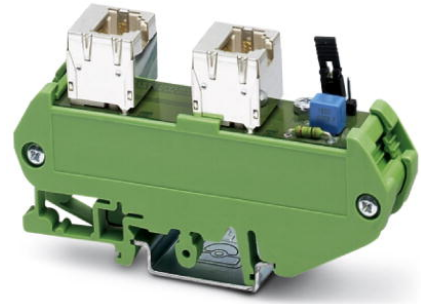


# VS-PP-R-1XRJ45/RJ45


Order No.: 1404391



<http://eshop.phoenixcontact.de/phoenix/treeViewClick.do?UID=1404391>

Patch panel, RJ45, DIN rail mounting, IP20, two slots, socket-socket, CAT5e, shielding over jumper can be selected

## Ethernet

Commercial data	
GTIN (EAN)	 4 046356 310406
Note	Made-to-order
sales group	D552
Pack	1 pcs.
Customs tariff	85366990
Catalog page information	Page 198 (PC-2009)

### Product notes

WEEE/RoHS-compliant since:  
09/03/2007



<http://www.download.phoenixcontact.com>  
Please note that the data given here has been taken from the online catalog. For comprehensive information and data, please refer to the user documentation. The General Terms and Conditions of Use apply to Internet downloads.

## Technical data

Mechanical characteristics	
Number of positions	8
Number of slots	2
Connection method	Socket
External cable diameter	5 mm ... 8.5 mm
Color	green

Ambient temperature (operation)	- 15 °C ... 50 °C
---------------------------------	-------------------

**Material data**

Inflammability class acc. to UL 94	V0
Housing material	PVC
Contact material	Copper alloy
Degree of protection	IP20

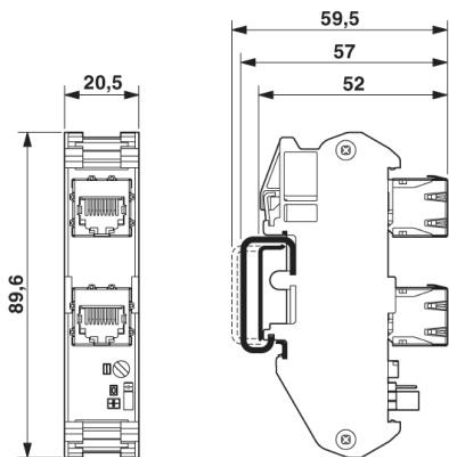
**Electrical characteristics**

Number of positions	8
Transmission characteristics (category)	CAT5 (IEC 11801:2002), CAT5e (TIA 568B:2001)
Rated current	1 A

**Diagrams/Drawings**

Dimensioned drawing

RJ45 patch panel



**Address**

PHOENIX CONTACT Inc., USA  
586 Fulling Mill Road  
Middletown, PA 17057, USA  
Phone (800) 888-7388  
Fax (717) 944-1625  
<http://www.phoenixcon.com>



© 2011 Phoenix Contact  
Technical modifications reserved;