

Patch panels - VS-PP-R-1XRJ45/RJ45 - 1404391

Please be informed that the data shown in this PDF Document is generated from our Online Catalog. Please find the complete data in the user's documentation. Our General Terms of Use for Downloads are valid (<http://phoenixcontact.com/download>)

Patch panel, RJ45, DIN rail mounting, IP20, 2 slots, socket/socket, CAT5e, option of shielding via jumpers



Ethernet

Key commercial data

Packing unit	1 pc
Weight per Piece (excluding packing)	60.61 GRM
Custom tariff number	85366990
Country of origin	Germany

Technical data

Mechanical characteristics

Number of positions	8
Number of slots	2
Connection method	female
External cable diameter	5 mm ... 8.5 mm
Color	green

Ambient conditions

Ambient temperature (operation)	- 15 °C ... 50 °C
Degree of protection	IP20

Material data

Inflammability class according to UL 94	V0
Housing material	PVC
Contact material	Copper alloy

Electrical characteristics

Number of positions	8
---------------------	---

Patch panels - VS-PP-R-1XRJ45/RJ45 - 1404391

Technical data

Electrical characteristics

Transmission characteristics (category)	CAT5 (IEC 11801:2002), CAT5e (TIA 568B:2001)
Rated current	1 A

Classifications

eCl@ss

eCl@ss 4.0	27140815
eCl@ss 4.1	27140815
eCl@ss 5.0	19030109
eCl@ss 5.1	19030109
eCl@ss 6.0	19170107
eCl@ss 7.0	19170112
eCl@ss 8.0	19170112

ETIM

ETIM 2.0	EC000200
ETIM 3.0	EC001128
ETIM 4.0	EC001128
ETIM 5.0	EC001128

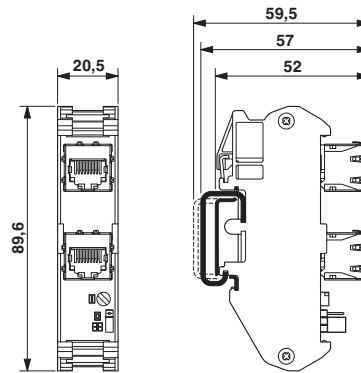
UNSPSC

UNSPSC 6.01	31261501
UNSPSC 7.0901	31261501
UNSPSC 11	31261501
UNSPSC 12.01	31261501
UNSPSC 13.2	31261501

Drawings

Patch panels - VS-PP-R-1XRJ45/RJ45 - 1404391

Dimensioned drawing



RJ45 patch panel

Phoenix Contact 2014 © - all rights reserved
<http://www.phoenixcontact.com>