

Crimp contact - CK 2,5-ED-0,37BU AU HAR - 1408135


Please be informed that the data shown in this PDF Document is generated from our Online Catalog. Please find the complete data in the user's documentation. Our General Terms of Use for Downloads are valid (<http://phoenixcontact.com/download>)



Crimp contact CK 2,5... for special tool

RoHS

Key Commercial Data

Packing unit	100 pc
Minimum order quantity	2000 pc
GTIN	 4 046356 561402
GTIN	4046356561402

Technical data

Ambient conditions

Ambient temperature (operation)	-40 °C ... 125 °C
---------------------------------	-------------------

Mechanical characteristics

Conductor cross section	0.14 mm ² ... 0.37 mm ²
Connection cross section AWG	22 ... 26
Stripping length of the individual wire	7.5 mm (9.5 mm at HC-M-HV...)
Contact diameter	2.5 mm
Insertion/withdrawal cycles	≥ 500

General

Type	Individual female contact
Series	HC-M-06
Color	gold
Connection method	Crimp connection
Contact type	turned
Assembly instructions	At voltages of < 5 V and currents < 5 mA, gold-plated contacts are recommended.
Connection	The quality of a crimp connection is determined by DIN EN 60352-2.

Crimp contact - CK 2,5-ED-0,37BU AU HAR - 1408135

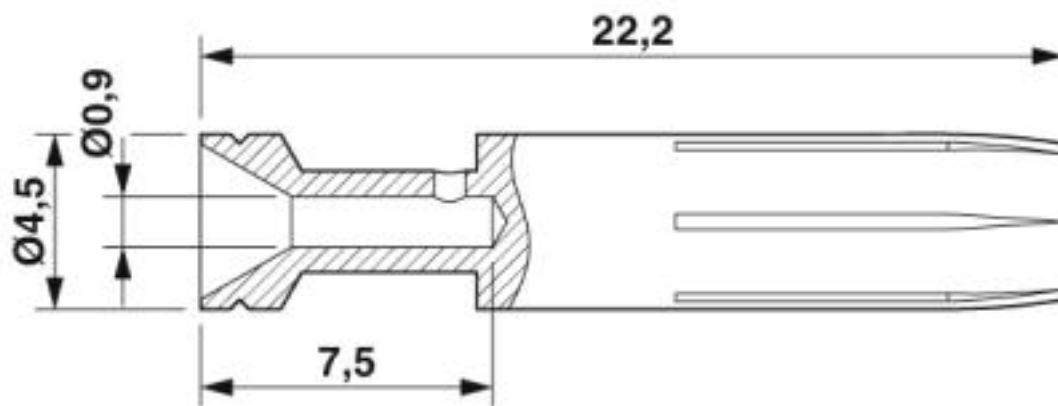
Technical data

Material data

Contact material	Copper alloy
Contact surface material	gold-plated

Drawings

Dimensional drawing



Dimensional drawing

Classifications

eCl@ss

eCl@ss 4.0	272607xx
eCl@ss 4.1	27260701
eCl@ss 5.0	27143424
eCl@ss 5.1	27143424
eCl@ss 6.0	27143424
eCl@ss 7.0	27440209
eCl@ss 8.0	27440204
eCl@ss 9.0	27440204

ETIM

ETIM 3.0	EC000796
ETIM 4.0	EC000796
ETIM 5.0	EC000796
ETIM 6.0	EC000796

UNSPSC

UNSPSC 6.01	31261502
UNSPSC 7.0901	31261502
UNSPSC 11	31261502

Crimp contact - CK 2,5-ED-0,37BU AU HAR - 1408135

Classifications

UNSPSC

UNSPSC 12.01	31261502
UNSPSC 13.2	39121522
UNSPSC 19.0	39121522

Accessories

Accessories

Assembly tool

Assembly tool - UNIFOX MT-CK 1.6/2.5 - 1089092



Assembly tool, for CK 1.6... crimp contacts for small conductor cross sections

Universal tools

Contact removal tool - UNIFOX RT-CK 2.5 - 1072067



Contact removal tool, for turned CK 2,5... contacts

Phoenix Contact 2020 © - all rights reserved
<http://www.phoenixcontact.com>

PHOENIX CONTACT GmbH & Co. KG
Flachsmarktstr. 8
32825 Blomberg
Germany
Tel. +49 5235 300
Fax +49 5235 3 41200
<http://www.phoenixcontact.com>