

Coding profile - CP-HC-S - 1410916

Please be informed that the data shown in this PDF Document is generated from our Online Catalog. Please find the complete data in the user's documentation. Our General Terms of Use for Downloads are valid (<http://phoenixcontact.com/download>)

Coding profile, 4 elements per star, for insertion in a coding keyway, for contact inserts HC-BB... / HC-A10-I-UT... / HC-A16-I-UT...



Key Commercial Data

| | |
|------------------------|---------------|
| Packing unit | 10 pc |
| Minimum order quantity | 10 pc |
| GTIN | |
| GTIN | 4046356886567 |

Technical data

Ambient conditions

| | |
|---------------------------------|-------------------|
| Ambient temperature (operation) | -40 °C ... 125 °C |
|---------------------------------|-------------------|

General

| | |
|--|--|
| Material | PA |
| Flammability rating according to UL 94 | V2 |
| Color | red |
| Note | 4 coding profiles per star, Pcs./Pkt.: 10 stars |
| Assembly instructions | 4 coding profiles per star, 10 stars per unit pack |
| Connection | for contact inserts HC-BB... / HC-A10-I-UT... / HC-A16-I-UT... |

Standards and Regulations

| | |
|--|----|
| Flammability rating according to UL 94 | V2 |
|--|----|

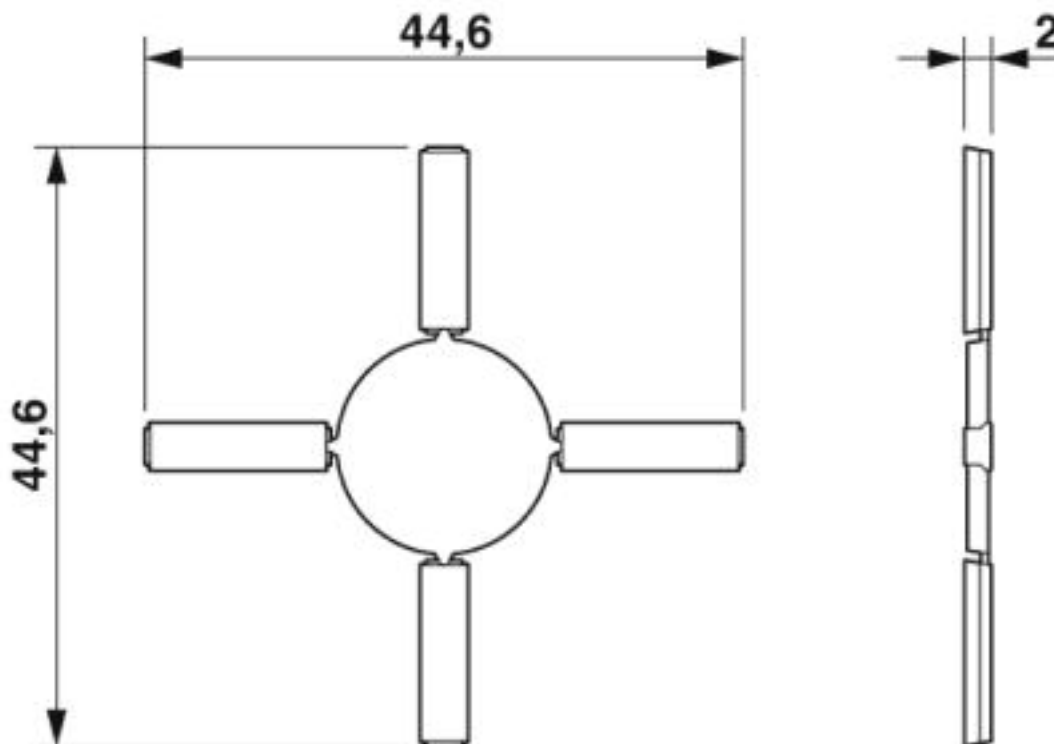
Environmental Product Compliance

| | |
|------------|---|
| China RoHS | Environmentally friendly use period: unlimited = EFUP-e |
| | No hazardous substances above threshold values |

Drawings

Coding profile - CP-HC-S - 1410916

Dimensional drawing



Dimensional drawing

Classifications

eCl@ss

| | |
|---------------|----------|
| eCl@ss 10.0.1 | 27440203 |
| eCl@ss 4.0 | 27140800 |
| eCl@ss 4.1 | 27140800 |
| eCl@ss 5.0 | 27143400 |
| eCl@ss 5.1 | 27143400 |
| eCl@ss 6.0 | 27269200 |
| eCl@ss 7.0 | 27440203 |
| eCl@ss 8.0 | 27440203 |
| eCl@ss 9.0 | 27440203 |

ETIM

| | |
|----------|----------|
| ETIM 4.0 | EC002498 |
| ETIM 5.0 | EC002311 |
| ETIM 6.0 | EC002311 |
| ETIM 7.0 | EC002311 |

Coding profile - CP-HC-S - 1410916

Classifications

UNSPSC

| | |
|---------------|----------|
| UNSPSC 6.01 | 30211817 |
| UNSPSC 7.0901 | 39121416 |
| UNSPSC 11 | 43172601 |
| UNSPSC 12.01 | 39121522 |
| UNSPSC 13.2 | 27112301 |
| UNSPSC 18.0 | 27112301 |
| UNSPSC 19.0 | 27112301 |
| UNSPSC 20.0 | 27112301 |
| UNSPSC 21.0 | 27112301 |

Phoenix Contact 2020 © - all rights reserved
<http://www.phoenixcontact.com>

PHOENIX CONTACT GmbH & Co. KG

Flachsmarktstr. 8

32825 Blomberg

Germany

Tel. +49 5235 300

Fax +49 5235 3 41200

<http://www.phoenixcontact.com>