

# RJ45 socket insert - CUC-K-J1ZNI-S/R4IDC8 - 1419021

Please be informed that the data shown in this PDF Document is generated from our Online Catalog. Please find the complete data in the user's documentation. Our General Terms of Use for Downloads are valid (<http://phoenixcontact.com/download>)



RJ45 socket insert, Degree of protection: IP20, Number of positions: 8, 10 Gbps, CAT6<sub>A</sub>, Material: Zinc die-cast, Connection method: IDC connection, Connection cross section: AWG 26-22, Use only with IP20 panel mounting frame or integrated directly into the housing panel

## Product Description


Keystone system

### Why buy this product

- assembly without special tools
- Compact design
- Rugged design



## Key Commercial Data

Packing unit	1 STK
GTIN	 4 055626 251448
GTIN	4055626251448

## Technical data

### Mechanical characteristics

Number of positions	8
Number of slots	1
Connection profile	RJ45
Insertion/withdrawal cycles	≥ 750
Connection method	IDC connection
Connection cross section AWG	26 ... 22 (solid)
	26 ... 22 (stranded)
External cable diameter	4.5 mm ... 9 mm
Wire diameter	0.4 mm ... 0.65 mm
Wire diameter including insulation	0.8 mm ... 1.6 mm

# RJ45 socket insert - CUC-K-J1ZNI-S/R4IDC8 - 1419021

## Technical data

### Mechanical characteristics

Insulation resistance	> 500 MΩ (100 V DC)
Degree of protection	IP20

### Ambient conditions

Ambient temperature (operation)	-25 °C ... 70 °C
Ambient temperature (storage/transport)	-40 °C ... 70 °C
Degree of protection	IP20

### Material data

Housing material	Zinc die-cast
Contact carrier material	PC
Contact material	CuSn
Contact surface material	Gold over nickel

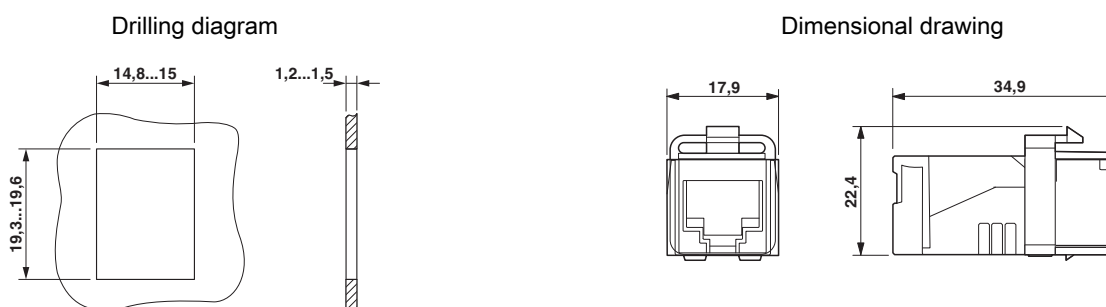
### Electrical characteristics

Number of positions	8
GRP transmission properties	CAT6 <sub>A</sub>
Transmission speed	10 Gbps
Frequency range	500 MHz
Rated voltage (III/3)	1000 V DC

### Environmental Product Compliance

China RoHS	Environmentally Friendly Use Period = 50
	For details about hazardous substances go to tab "Downloads", Category "Manufacturer's declaration"

## Drawings



RJ45 socket insert, keystone

Panel cutout

## Approvals

Approvals

# RJ45 socket insert - CUC-K-J1ZNI-S/R4IDC8 - 1419021

## Approvals

Approvals





UL Recognized / cUL Recognized / EAC / cULus Recognized

---

Ex Approvals

---

## Approval details

UL Recognized		<a href="http://database.ul.com/cgi-bin/XYV/template/LISEXT/1FRAME/index.htm">http://database.ul.com/cgi-bin/XYV/template/LISEXT/1FRAME/index.htm</a>	FILE E 335024
cUL Recognized		<a href="http://database.ul.com/cgi-bin/XYV/template/LISEXT/1FRAME/index.htm">http://database.ul.com/cgi-bin/XYV/template/LISEXT/1FRAME/index.htm</a>	FILE E 335024
EAC			B.01742
cULus Recognized		<a href="http://database.ul.com/cgi-bin/XYV/template/LISEXT/1FRAME/index.htm">http://database.ul.com/cgi-bin/XYV/template/LISEXT/1FRAME/index.htm</a>	

---

Phoenix Contact 2017 © - all rights reserved  
<http://www.phoenixcontact.com>

PHOENIX CONTACT GmbH & Co. KG  
Flachsmarktstr. 8  
32825 Blomberg  
Germany  
Tel. +49 5235 300  
Fax +49 5235 3 41200  
<http://www.phoenixcontact.com>