

## RJ45 socket insert - CUC-K-J1ZNI-S/R4IDC8 - 1419021

Please be informed that the data shown in this PDF Document is generated from our Online Catalog. Please find the complete data in the user's documentation. Our General Terms of Use for Downloads are valid (<http://phoenixcontact.com/download>)



RJ45 socket insert, type: RJ45, degree of protection: IP20, number of positions: 8, 10 Gbps, CAT6<sub>A</sub>, material: Zinc die-cast, connection method: IDC connection, connection cross section: AWG 26- 22, Keystone design for use with IP20 panel mounting frame or integrated directly into the housing panel

### Product Description


Keystone system

### Your advantages

- assembly without special tools
- Compact design
- Rugged design



### Key Commercial Data

Packing unit	1 pc
GTIN	 4 0 5 5 6 2 6 2 5 1 4 4 8
GTIN	4055626251448

### Technical data

#### Mechanical characteristics

Connection method	IDC connection
Number of slots	1
Minimum external conductor diameter	4.5 mm
Maximum external conductor diameter	9 mm
AWG solid min.	26
AWG solid max.	22
AWG multi-stranded min.	26
AWG multi-stranded max.	22
Weight	20.13 g

#### Ambient conditions

# RJ45 socket insert - CUC-K-J1ZNI-S/R4IDC8 - 1419021

## Technical data

### Ambient conditions

Ambient temperature (operation)	-25 °C ... 70 °C
Ambient temperature (storage/transport)	-40 °C ... 70 °C
Degree of protection	IP20

### Material data

Contact surface material	Gold over nickel
Contact material	CuSn
Contact carrier material	PC
Housing material	Zinc die-cast

### Electrical characteristics

Number of positions	8
Nominal voltage $U_N$	72 V (DC)
Nominal current $I_N$	1.5 A
GRP transmission properties	CAT6 <sub>A</sub>
Transmission speed	10 Gbps
Frequency range	500 MHz
Rated voltage (III/3)	72 V (DC)
Insulation resistance	> 500 MΩ (100 V DC)

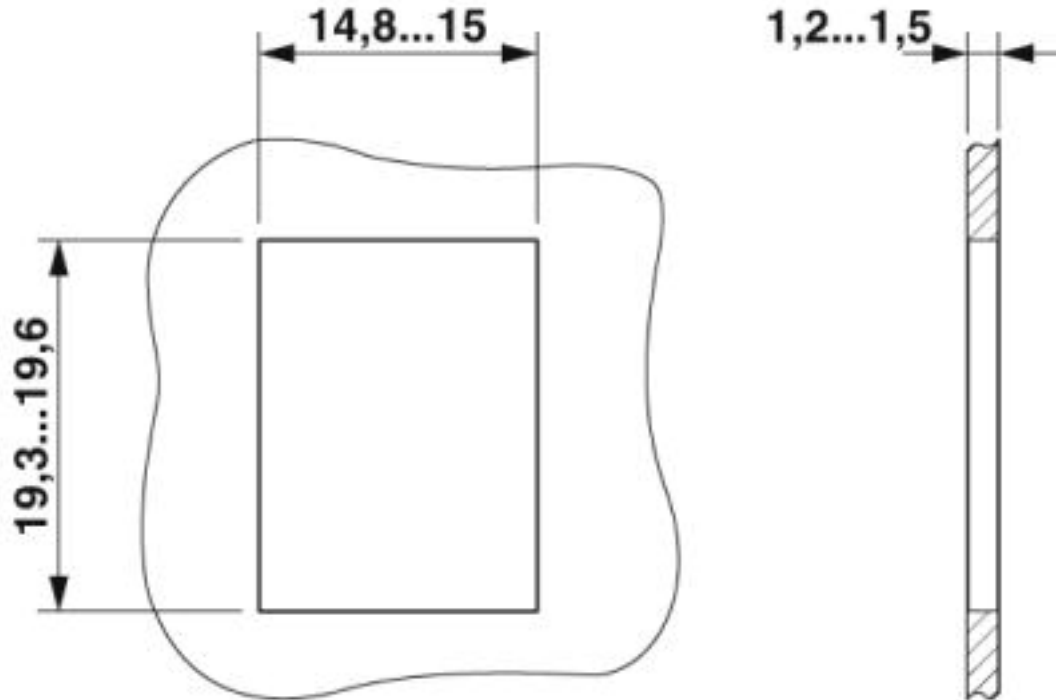
### Environmental Product Compliance

China RoHS	Environmentally friendly use period: unlimited = EFUP-e
	No hazardous substances above threshold values

## Drawings

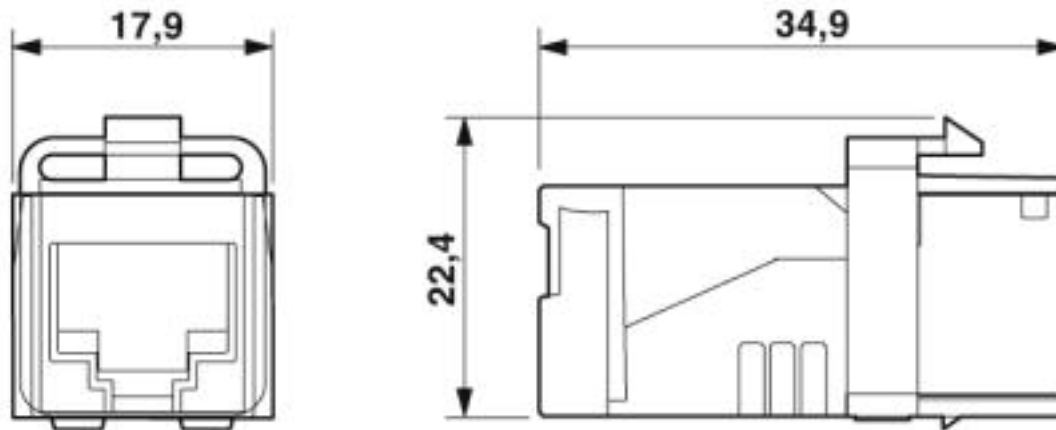
# RJ45 socket insert - CUC-K-J1ZNI-S/R4IDC8 - 1419021

Drilling diagram



Panel cutout

Dimensional drawing



RJ45 socket insert, keystone

## Classifications

eCl@ss

eCl@ss 10.0.1	27440205
eCl@ss 4.0	27260700

# RJ45 socket insert - CUC-K-J1ZNI-S/R4IDC8 - 1419021

## Classifications

### eCl@ss

eCl@ss 4.1	27260700
eCl@ss 5.0	27260700
eCl@ss 5.1	27261200
eCl@ss 6.0	27261200
eCl@ss 7.0	27440205
eCl@ss 8.0	27440205
eCl@ss 9.0	27440205

### ETIM

ETIM 4.0	EC000438
ETIM 5.0	EC000438
ETIM 6.0	EC000438
ETIM 7.0	EC000438

### UNSPSC

UNSPSC 6.01	30212113
UNSPSC 7.0901	39121712
UNSPSC 11	39121712
UNSPSC 12.01	31261501
UNSPSC 13.2	39121522
UNSPSC 18.0	39121522
UNSPSC 19.0	39121522
UNSPSC 20.0	39121522
UNSPSC 21.0	39121522

## Approvals

### Approvals

#### Approvals

DNV GL / UL Recognized / cUL Recognized / EAC / cULus Recognized

#### Ex Approvals

### Approval details

DNV GL		<a href="https://approvalfinder.dnvgl.com/">https://approvalfinder.dnvgl.com/</a>	TAE000029B
--------	--	---	------------

# RJ45 socket insert - CUC-K-J1ZNI-S/R4IDC8 - 1419021

## Approvals

UL Recognized		<a href="http://database.ul.com/cgi-bin/XYV/template/LISEXT/1FRAME/index.htm">http://database.ul.com/cgi-bin/XYV/template/LISEXT/1FRAME/index.htm</a>	FILE E 335024
---------------	--	---	---------------

cUL Recognized		<a href="http://database.ul.com/cgi-bin/XYV/template/LISEXT/1FRAME/index.htm">http://database.ul.com/cgi-bin/XYV/template/LISEXT/1FRAME/index.htm</a>	FILE E 335024
----------------	--	---	---------------

EAC			B.01687
-----	--	--	---------

cULus Recognized			
------------------	--	--	--

## Accessories

### Accessories

#### Data cable by the meter

Network cable - VS-OE-OE-93B-100,0 - 1416389



Network cable, PROFINET CAT5 (100 Mbps), 4-position, PVC, green RAL 6018, shielded, free cable end, on free cable end, cable length: 100 m

Network cable - VS-OE-OE-94B-100,0 - 1416567



Network cable, Ethernet CAT5 (1 Gbps), 8-position, PUR halogen-free, water blue RAL 5021, shielded, free cable end, on free cable end, cable length: 100 m

Network cable - VS-OE-OE-94F/... - 1417359



Network cable, Ethernet CAT6<sub>A</sub> (10 Gbps), 8-position, PUR halogen-free, water blue RAL 5021, shielded, free cable end, on free cable end, cable length: Free entry (0.5 ... 400 m)

## RJ45 socket insert - CUC-K-J1ZNI-S/R4IDC8 - 1419021

### Accessories

#### Electronics pliers

Diagonal cutter - MICROFOX-SP-1 - 1212487



Electronic diagonal cutter, tapered head, without chamfer, with opening spring, non-reflective phosphate-treated surface, punched version

---

#### Panel mounting frame

Panel mounting frames - VS-08-A-RJ45/MOD-1-IP20 - 1689433



RJ45 panel mounting frame, 1x, IP20, for modular socket inserts (Keystone), without mounting screws

---

Stripping tool - VS-CABLE-STRIP-VARIO - 1657407



Stripping tool, for the multi-level stripping of shielded cables

---

Network cable - NBC-150,0-94E - 1408133



CAT6a S/STP cable, 4 x 2 x 23 AWG, solid (1-wire), shielded, outer sheath: PUR, halogen-free, outside diameter: 8.0 mm, RAL 5021 (water blue), cable ring: 150 m

---

#### Additional products

Connector - C-SCFI 1,5/2,8X0,8 - 3240049



Slip-on sleeve, red, 0.5 ... 1.5 mm<sup>2</sup>, 2.8 x 0.8

Phoenix Contact 2020 © - all rights reserved  
<http://www.phoenixcontact.com>

PHOENIX CONTACT GmbH & Co. KG  
Flachmarktstr. 8  
32825 Blomberg  
Germany  
Tel. +49 5235 300  
Fax +49 5235 3 41200  
<http://www.phoenixcontact.com>