

Crimp contact - CC1,0-TS-1,00F AU - 1423646


Please be informed that the data shown in this PDF Document is generated from our Online Catalog. Please find the complete data in the user's documentation. Our General Terms of Use for Downloads are valid (<http://phoenixcontact.com/download>)



Crimp contact, contact diameter: 1 mm, turned, Socket, contact material: CuZn, contact surface: Ni/Au, connection cross section: 0.34 mm² ... 1 mm² AWG 22 ... 18



Key Commercial Data

Packing unit	100 pc
Minimum order quantity	100 pc
GTIN	 4 055626 363325
GTIN	4055626363325

Technical data

Ambient conditions

Ambient temperature (operation)	-40 °C ... 85 °C
---------------------------------	------------------

Mechanical characteristics

Conductor cross section	0.34 mm ² ... 1 mm ² (flexible)
Connection cross section AWG	22 ... 18 (flexible)
Stripping length of the individual wire	4 mm +0,5 mm
Contact diameter	1 mm
Insertion/withdrawal cycles	≥ 100

General

Type	Individual female contact
Connection method	Crimp connection
Contact type	turned

Material data

Contact material	CuZn
Contact surface material	Ni/Au

Environmental Product Compliance

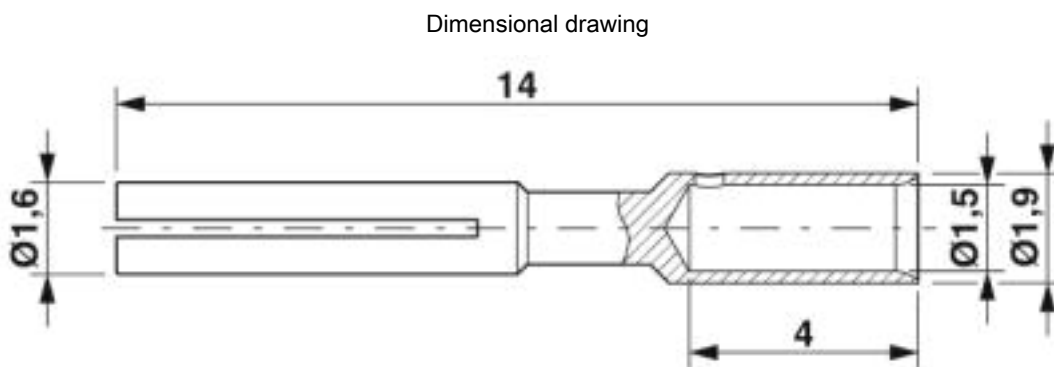
Crimp contact - CC1,0-TS-1,00F AU - 1423646

Technical data

Environmental Product Compliance

REACH SVHC	Lead 7439-92-1
China RoHS	Environmentally Friendly Use Period = 50 years
	For details about hazardous substances go to tab "Downloads", Category "Manufacturer's declaration"

Drawings



Crimp contact, diameter :1.0 mm

Classifications

eCl@ss

eCl@ss 10.0.1	27440204
eCl@ss 5.1	27261200
eCl@ss 6.0	27261200
eCl@ss 7.0	27440204
eCl@ss 8.0	27440204
eCl@ss 9.0	27440204

ETIM

ETIM 5.0	EC000796
ETIM 6.0	EC000796
ETIM 7.0	EC000796

Approvals

Approvals

Approvals

EAC

Crimp contact - CC1,0-TS-1,00F AU - 1423646

Approvals

Ex Approvals

Approval details

EAC		EAC-Zulassung
-----	--	---------------

Accessories

Accessories

Circular connector (cable-side)

Connector - SACC-M12FSD-4CT-CM SH PN - 1422848



Connector, PROFINET CAT5 (100 Mbps), 4-position, shielded, Socket straight M12, Coding: D, Crimp connection, knurl material: Zinc die-cast, nickel-plated, external cable diameter 4.5 mm ... 7.5 mm, without crimp contacts

Connector - SACC-M12FRD-4CT-CM SH PN - 1422849



Connector, PROFINET CAT5 (100 Mbps), 4-position, shielded, Socket angled M12, Coding: D, Crimp connection, knurl material: Zinc die-cast, nickel-plated, external cable diameter 4.5 mm ... 7.5 mm, without crimp contacts

Connector - SACC-M12FS-5CT-CM SH - 1422852



Connector, Universal, 5-position, shielded, Socket straight M12, Coding: A, Crimp connection, knurl material: Zinc die-cast, nickel-plated, external cable diameter 4.5 mm ... 7.5 mm, without crimp contacts

Connector - SACC-M12FR-5CT-CM SH - 1422853



Connector, Universal, 5-position, shielded, Socket angled M12, Coding: A, Crimp connection, knurl material: Zinc die-cast, nickel-plated, external cable diameter 4.5 mm ... 7.5 mm, without crimp contacts

Crimp contact - CC1,0-TS-1,00F AU - 1423646

Accessories

Connector - SACC-P12FSD-4CT-CM SH PN - 1021832



Connector, PROFINET CAT5 (100 Mbps), 4-position, shielded, Socket straight M12 Push-Pull, Coding: D, Crimp connection, knurl material: PA 6.6, external cable diameter 4.5 mm ... 7.5 mm, without crimp contacts

Connector - SACC-P12FRD-4CT-CM SH PN - 1021834



Connector, PROFINET CAT5 (100 Mbps), 4-position, shielded, Socket angled M12 Push-Pull, Coding: D, Crimp connection, knurl material: PA 6.6, external cable diameter 4.5 mm ... 7.5 mm, without crimp contacts

Connector - SACC-P12FS-5CT-CM SH - 1021817



Connector, Universal, 5-position, shielded, Socket straight M12 Push-Pull, Coding: A, Crimp connection, knurl material: PA 6.6, external cable diameter 4.5 mm ... 7.5 mm, without crimp contacts

Connector - SACC-P12FR-5CT-CM SH - 1021818



Connector, Universal, 5-position, shielded, Socket angled M12 Push-Pull, Coding: A, Crimp connection, knurl material: PA 6.6, external cable diameter 4.5 mm ... 7.5 mm, without crimp contacts

Crimping tool

Crimping pliers - CRIMPFOX-TC MP - 1212510



Crimping pliers, for turned contacts, universal cross section setting, up to a maximum of 2.5 mm², digital display with 0.01 mm increments, pressure lock can be unlocked, including positioning tool

Phoenix Contact 2020 © - all rights reserved
<http://www.phoenixcontact.com>

PHOENIX CONTACT GmbH & Co. KG
Flachmarktstr. 8
32825 Blomberg
Germany
Tel. +49 5235 300
Fax +49 5235 3 41200
<http://www.phoenixcontact.com>