

# Housing - HC-STA-D50-SHWD-2SSM25-ELC-AL - 1424413


Please be informed that the data shown in this PDF Document is generated from our Online Catalog. Please find the complete data in the user's documentation. Our General Terms of Use for Downloads are valid (<http://phoenixcontact.com/download>)



Box mounting bases D50, with double locking latch, material: Die-cast aluminum, salt water resistant, cable outlets: 2, lateral, height: 82 mm, cable gland: none, support sleeve: no, 2x M25, Standard



## Key Commercial Data

Packing unit	1 pc
GTIN	 4 055626 371535
GTIN	4055626371535

## Technical data

### Dimensions

Height	82 mm
Width	70 mm
Length	106 mm

### Ambient conditions

Degree of protection (IP)	IP66
	IP67
Ambient temperature (operation)	-40 °C ... 125 °C

### General

Size	D50
Housing type	Box mounting bases
Color	gray aluminum
Locking type	with double locking latch
No. of cable outlets	2
Cable outlet	lateral
Screw connection	none
Type of the screw connection	2x M25
Housing material	Die-cast aluminum, salt water resistant

# Housing - HC-STA-D50-SHWD-2SSM25-ELC-AL - 1424413

## Technical data

### General

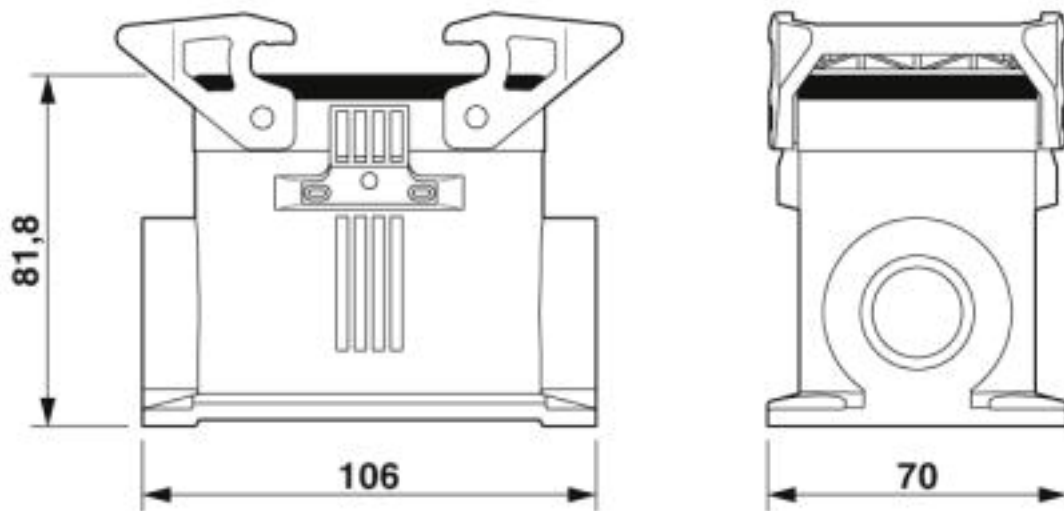
Housing surface material	uncoated
Seal material	NBR, conductive
Material lock	PA
Assembly instructions	One opening is sealed with a plastic filler plug and can be opened using a screwdriver.

### Environmental Product Compliance

China RoHS	Environmentally Friendly Use Period = 50 years
	For details about hazardous substances go to tab "Downloads", Category "Manufacturer's declaration"

## Drawings

Dimensional drawing



Dimensional drawing

## Classifications

### eCl@ss

eCl@ss 10.0.1	27440202
eCl@ss 5.1	27261200
eCl@ss 6.0	27261200
eCl@ss 7.0	27440202
eCl@ss 8.0	27440202
eCl@ss 9.0	27440202

### ETIM

ETIM 5.0	EC000437
----------	----------

# Housing - HC-STA-D50-SHWD-2SSM25-ELC-AL - 1424413

## Classifications

### ETIM

ETIM 6.0	EC000437
ETIM 7.0	EC000437

## Approvals

### Approvals

---

### Approvals

UL Recognized / cUL Recognized / DNV GL / EAC / cULus Recognized

---

### Ex Approvals

---

### Approval details

UL Recognized		<a href="http://database.ul.com/cgi-bin/XYV/template/LISEXT/1FRAME/index.htm">http://database.ul.com/cgi-bin/XYV/template/LISEXT/1FRAME/index.htm</a>	E255026
---------------	---	---	---------

cUL Recognized		<a href="http://database.ul.com/cgi-bin/XYV/template/LISEXT/1FRAME/index.htm">http://database.ul.com/cgi-bin/XYV/template/LISEXT/1FRAME/index.htm</a>	E255026
----------------	---	---	---------

DNV GL		<a href="https://approvalfinder.dnvgl.com/">https://approvalfinder.dnvgl.com/</a>	TAE000037S
--------	---	---	------------

EAC			EAC-Zulassung
-----	---	--	---------------

cULus Recognized			
------------------	---	--	--

## Accessories

### Accessories

Full screw connection

## Housing - HC-STA-D50-SHWD-2SSM25-ELC-AL - 1424413

### Accessories

Cable gland - G-INS-M25-S68N-NNES-S - 1424527



Cable gland, cable gland material: Nickel-plated brass, external cable diameter 10 mm ... 14 mm, shielding: no, connecting thread: M25 x 1.5, color: silver, with O-ring

---

Cable gland - G-INS-M25-M68N-NNES-S - 1411165



Cable gland, cable gland material: Nickel-plated brass, external cable diameter 11 mm ... 17 mm, shielding: no, connecting thread: M25 x 1.5, color: silver, with O-ring

---

Cable gland - G-INSEC-M25-S68N-NCRS-S - 1411190



Cable gland, cable gland material: Nickel-plated brass, external cable diameter 11 mm ... 16 mm, shielding: yes, connecting thread: M25 x 1.5, color: silver, with O-ring

---

Cable gland - G-INS-M25-M68N-SNES-S - 1424544



Cable gland, cable gland material: Stainless steel 1.4305, external cable diameter 11 mm ... 17 mm, shielding: no, connecting thread: M25 x 1.5, color: silver, with O-ring

---

### Plug for cable screw gland

Screw plug - A-INSP-M25-65N-P-BK - 1415207



Screw plug, material: PA, connecting thread: M25 x 1.5, color: jet black RAL 9005, with O-ring

---

## Housing - HC-STA-D50-SHWD-2SSM25-ELC-AL - 1424413

### Accessories

Screw plug - HC-M-BS-M25 - 1645859



Screw plug, cable gland material: Nickel-plated brass, connecting thread: M25 x 1.5, color: silver

---

Phoenix Contact 2020 © - all rights reserved  
<http://www.phoenixcontact.com>

PHOENIX CONTACT GmbH & Co. KG  
Flachsmarktstr. 8  
32825 Blomberg  
Germany  
Tel. +49 5235 300  
Fax +49 5235 3 41200  
<http://www.phoenixcontact.com>