

## DIN rail bus connectors - TBUS8-18,8-PPPPPPP-7035 - 2202396

Please be informed that the data shown in this PDF Document is generated from our Online Catalog. Please find the complete data in the user's documentation. Our General Terms of Use for Downloads are valid (<http://phoenixcontact.com/download>)

DIN rail connector, number of positions: 8, pitch: 2.54 mm, color: light gray, 8 parallel contacts




### Your advantages

- ✓ Space-saving DIN rail mounting
- ✓ Contact design enables electronics modules to be easily snapped on
- ✓ Power supply and communication without additional wiring
- ✓ Parallel and serial contacts for efficient signal and data transmission



### Key Commercial Data

Packing unit	30 pc
Minimum order quantity	30 pc
GTIN	 4 055626 115078
GTIN	4055626115078

### Technical data

#### Dimensions

Length [ 1 ]	18.8 mm
Pitch	2.54 mm

#### General

Number of positions	8
Insulating material group	I
Rated surge voltage (III/2)	1.5 kV
Rated surge voltage (II/2)	1.5 kV
Rated voltage (III/2)	32 V
Rated voltage (II/2)	32 V
Nominal current $I_N$	6 A
Maximum load current	6 A

# DIN rail bus connectors - TBUS8-18,8-PPPPPPP-7035 - 2202396

## Technical data

### General

Insulating material	PA
Flammability rating according to UL 94	V0

### General product information

Type of note	Recommendation
Note	Material of contact pads for bus connector, galvanic gold (hard gold)

### Standards and Regulations

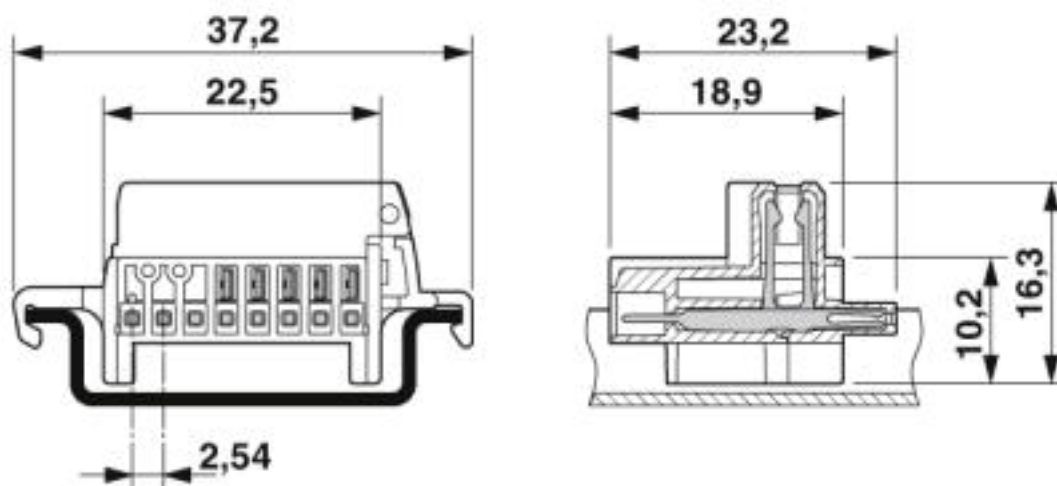
Flammability rating according to UL 94	V0
--	----

### Environmental Product Compliance

China RoHS	Environmentally friendly use period: unlimited = EFUP-e
	No hazardous substances above threshold values

## Drawings

Dimensional drawing



## Classifications

eCl@ss

eCl@ss 4.0	27260700
eCl@ss 4.1	27260700
eCl@ss 5.0	27260700
eCl@ss 5.1	27260700
eCl@ss 6.0	27260700
eCl@ss 7.0	27440309
eCl@ss 8.0	27440309
eCl@ss 9.0	27440309

# DIN rail bus connectors - TBUS8-18,8-PPPPPPP-7035 - 2202396

## Classifications

### ETIM

ETIM 5.0	EC002638
ETIM 6.0	EC002638
ETIM 7.0	EC002638

### UNSPSC

UNSPSC 13.2	39121409
UNSPSC 18.0	39121409
UNSPSC 19.0	39121409
UNSPSC 20.0	39121409
UNSPSC 21.0	39121409

## Approvals

### Approvals

---

#### Approvals


UL Recognized / cUL Recognized / EAC / cULus Recognized


---


#### Ex Approvals

---

### Approval details

UL Recognized		<a href="http://database.ul.com/cgi-bin/XYV/template/LISEXT/1FRAME/index.htm">http://database.ul.com/cgi-bin/XYV/template/LISEXT/1FRAME/index.htm</a> E118976-20151204
Nominal voltage UN	29.9 V	
Nominal current IN	6 A	

cUL Recognized		<a href="http://database.ul.com/cgi-bin/XYV/template/LISEXT/1FRAME/index.htm">http://database.ul.com/cgi-bin/XYV/template/LISEXT/1FRAME/index.htm</a> E118976-20151204
Nominal voltage UN	29.9 V	
Nominal current IN	4 A	

EAC		B.01687
-----	---	---------

## DIN rail bus connectors - TBUS8-18,8-PPPPPPP-7035 - 2202396

### Approvals

cULus Recognized



### Accessories

### Additional products

Printed-circuit board connector - FMC 0,5/ 8-ST-2,54 - 1821151

PCB connector, nominal current: 6 A, rated voltage (III/2): 160 V, nominal cross section: 0.5 mm<sup>2</sup>, number of positions: 8, pitch: 2.54 mm, connection method: Push-in spring connection, color: black, contact surface: Gold



Phoenix Contact 2020 © - all rights reserved  
<http://www.phoenixcontact.com>

PHOENIX CONTACT GmbH & Co. KG  
Flachsmarktstr. 8  
32825 Blomberg  
Germany  
Tel. +49 5235 300  
Fax +49 5235 3 41200  
<http://www.phoenixcontact.com>