

Connection plate - ICS25-F45S-7035 - 2203891

Please be informed that the data shown in this PDF Document is generated from our Online Catalog. Please find the complete data in the user's documentation. Our General Terms of Use for Downloads are valid (<http://phoenixcontact.com/download>)

DIN rail housing, ICS filler, closed, width: 25 mm, height: 7 mm, depth: 45 mm, color: light gray (7035)




Your advantages

- ✓ Flexible use, thanks to the modular system and unique modularity in the connection technology
- ✓ Standardized connections such as RJ45, USB, D-SUB and antenna sockets as components that can be integrated
- ✓ Optimal space utilization, as well as adaptability of design, colors, and printing
- ✓ Eight-position DIN rail connectors with parallel and up to two serial contacts for easy module-to-module communication



Key Commercial Data

Packing unit	10 pc
Minimum order quantity	10 pc
GTIN	 4 055626 465968
GTIN	4055626465968

Technical data

Item properties

Brief article description	Connection plate
Type	ICS25-F45S-7035
Order No.	2203891
Housing type	DIN rail housing
Housing series	ICS
Type	ICS filler, closed
Max. IP code to attain	IP20
Mounting type	Slot
Ventilation openings present	no

Dimensions

Width [w]	25 mm
-------------	-------

Connection plate - ICS25-F45S-7035 - 2203891

Technical data

Dimensions

Height [h]	7 mm
Depth [d]	45 mm

Material data

Color (RAL)	light gray (7035)
Flammability rating according to UL 94	V0
Housing material	Polyamide

Ambient conditions

Ambient temperature (storage/transport)	-40 °C ... 55 °C
Ambient temperature (assembly)	-5 °C ... 100 °C
Ambient temperature (operation)	-40 °C ... 105 °C (depending on power dissipation)
Relative humidity (storage/transport)	80 %

General information

Type of note	Assembly instruction:
Note	Refer to the data sheet for the range in the download area.

Packaging information

Pieces per package	10
Denomination packing units	Pcs.
Outer packaging type	Resealable bag

Standards and regulations

Flammability rating according to UL 94	V0
--	----

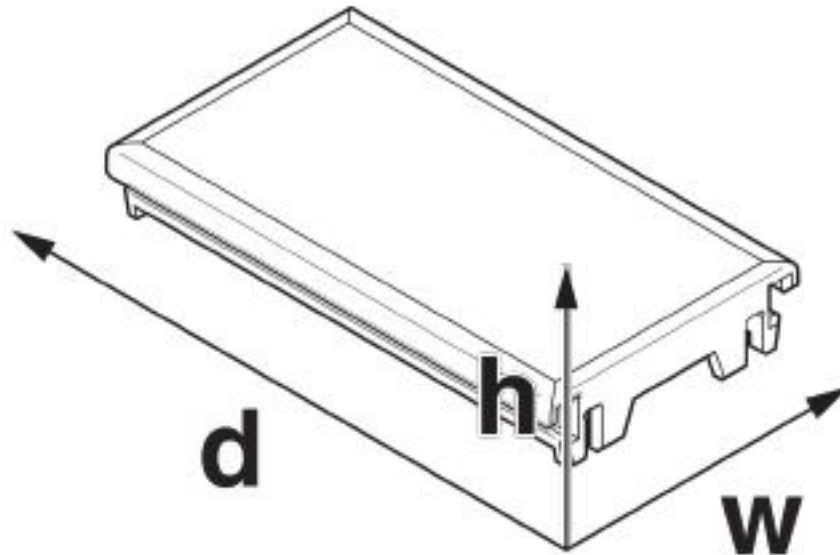
Environmental Product Compliance

China RoHS	Environmentally friendly use period: unlimited = EFUP-e
	No hazardous substances above threshold values

Drawings

Connection plate - ICS25-F45S-7035 - 2203891

Dimensional drawing



Classifications

eCl@ss

eCl@ss 10.0.1	27182702
eCl@ss 5.1	27180506
eCl@ss 6.0	27180800
eCl@ss 7.0	27182702
eCl@ss 8.0	27182702
eCl@ss 9.0	27182702

ETIM

ETIM 5.0	EC001031
ETIM 6.0	EC001031
ETIM 7.0	EC001031

Approvals

Approvals

Approvals

UL Recognized

Ex Approvals

Approval details

Connection plate - ICS25-F45S-7035 - 2203891

Approvals

UL Recognized



<http://database.ul.com/cgi-bin/XYV/template/LISEXT/1FRAME/index.htm>

FILE E 240868

Phoenix Contact 2020 © - all rights reserved
<http://www.phoenixcontact.com>

PHOENIX CONTACT GmbH & Co. KG
Flachsmarktstr. 8
32825 Blomberg
Germany
Tel. +49 5235 300
Fax +49 5235 3 41200
<http://www.phoenixcontact.com>