

## Profile - UM 45-PROFIL 235CM - 2735441

Please be informed that the data shown in this PDF Document is generated from our Online Catalog. Please find the complete data in the user's documentation. Our General Terms of Use for Downloads are valid (<http://phoenixcontact.com/download>)




Press-drawn section housings, Basic profile, open, profile width (internal): 41.85 mm, length: 2350 mm, height: 44.8 mm, cross connection: without bus connector

### Your advantages

- ✓ UM ...-SES lateral element offers options for labeling with Phoenix Contact marking material
- ✓ Fast mounting
- ✓ Flexible size and shape
- ✓ Inexpensive as a result of reducing the number of separate housing parts
- ✓ High degree of mechanical stability by screwing the lateral elements to the profile
- ✓ The UMK-BF mounting flange enables modules to be mounted directly on the wall
- ✓ Cable fixing by means of UM ...-SEK lateral element (fixed using cable binders, not supplied as standard)



### Key Commercial Data

|              |   |
|--------------|---|
| Packing unit | 1 pc  |
| GTIN         | <br>4 017918 589554 |
| GTIN         | 4017918589554   |

### Technical data

#### Product properties

|                           |                              |
|---------------------------|------------------------------|
| Brief article description | Profile                      |
| Type                      | UM 45-PROFIL 235CM           |
| Order No.                 | 2735441                      |
| Housing type              | Press-drawn section housings |
| Type                      | Basic profile                |

#### Dimensions

|                          |          |
|--------------------------|----------|
| Length [ l ]             | 235 cm   |
| Profile width (external) | 44.8 mm  |
| Profile width (internal) | 41.85 mm |

## Profile - UM 45-PROFIL 235CM - 2735441

### Technical data

#### Dimensions

|             |          |
|-------------|----------|
| Height      | 44.8 mm  |
| Depth [ d ] | 18.95 mm |

#### Material specifications

|                  |     |
|------------------|-----|
| Housing material | PVC |
|------------------|-----|

#### Ambient conditions

|                                 |                  |
|---------------------------------|------------------|
| Ambient temperature (operation) | -15 °C ... 50 °C |
|---------------------------------|------------------|

#### Packaging specifications

|                            |      |
|----------------------------|------|
| Pieces per package         | 1    |
| Denomination packing units | Pcs. |

#### Standards and Regulations

|  |    |
|--|----|
| Flammability rating according to UL 94 | V0 |
|--|----|

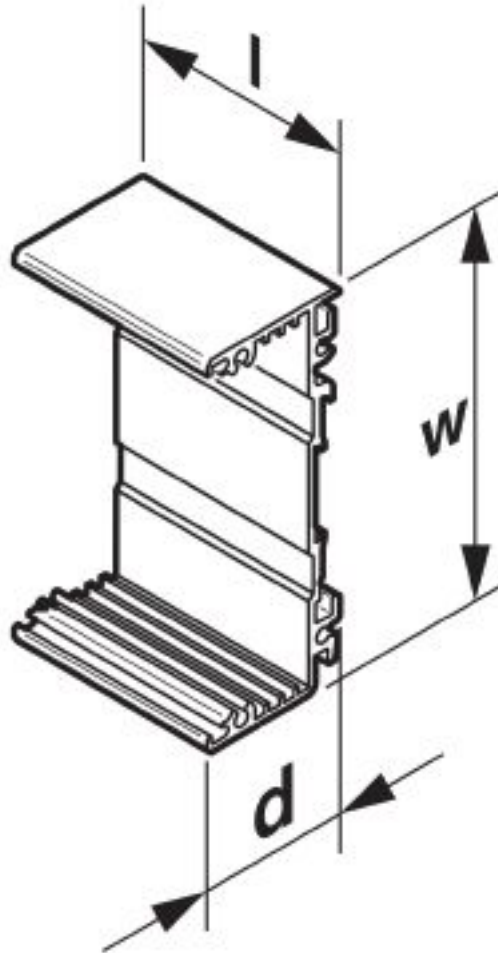
#### Environmental Product Compliance

|            |   |
|------------|---|
| China RoHS | Environmentally friendly use period: unlimited = EFUP-e |
|            | No hazardous substances above threshold values          |

### Drawings

## Profile - UM 45-PROFIL 235CM - 2735441

Dimensional drawing



### Classifications

#### eCl@ss

|               |          |
|---------------|----------|
| eCl@ss 10.0.1 | 27182701 |
| eCl@ss 4.0    | 27180400 |
| eCl@ss 4.1    | 27180400 |
| eCl@ss 5.0    | 27180500 |
| eCl@ss 5.1    | 27180500 |
| eCl@ss 6.0    | 27180800 |
| eCl@ss 7.0    | 27182701 |
| eCl@ss 8.0    | 27182701 |
| eCl@ss 9.0    | 27182701 |

#### ETIM

|          |          |
|----------|----------|
| ETIM 2.0 | EC001031 |
|----------|----------|

# Profile - UM 45-PROFIL 235CM - 2735441

## Classifications

### ETIM

|          |          |
|----------|----------|
| ETIM 3.0 | EC001031 |
| ETIM 4.0 | EC001031 |
| ETIM 5.0 | EC002779 |
| ETIM 6.0 | EC002779 |
| ETIM 7.0 | EC002779 |

### UNSPSC

|               |          |
|---------------|----------|
| UNSPSC 6.01   | 31261501 |
| UNSPSC 7.0901 | 31261501 |
| UNSPSC 11     | 31261501 |
| UNSPSC 12.01  | 31261501 |
| UNSPSC 13.2   | 31261501 |
| UNSPSC 18.0   | 31261501 |
| UNSPSC 19.0   | 31261501 |
| UNSPSC 20.0   | 31261501 |
| UNSPSC 21.0   | 31261501 |

## Approvals

### Approvals

---

Approvals

EAC

---

Ex Approvals

---

### Approval details

|     |   |         |
|-----|---|---------|
| EAC |  | B.01742 |
|-----|---|---------|

## Accessories

Accessories

Device marking

## Profile - UM 45-PROFIL 235CM - 2735441

### Accessories

Contactor marker - zack marker strip - SS-ZB WH - 5031171



Contactor marker - zack marker strip, Strip, white, unlabeled, can be labeled with: CMS-P1-PLOTTER, mounting type: snap into flat marker groove, lettering field size: 20 mm x 8 mm, Number of individual labels: 5

Contactor marker - zack marker strip - SS-ZB YE - 5031650



Contactor marker - zack marker strip, Strip, yellow, unlabeled, can be labeled with: CMS-P1-PLOTTER, mounting type: snap into flat marker groove, lettering field size: 20 mm x 8 mm, Number of individual labels: 5

### Mounting material

Foot element - UM 25/45-FEO 200 - 2959434



Foot element, is inserted in the profile housing, limit stop with screw. Mounted at right angles to the NS 35/7.5 DIN rail

Mounting flange - UMK-BF - 2976077



Mounting flange, for mounting directly on the wall

### Panel mounting base side part

Electronic housing - UM 45-SEAS - 2907554



Panel mounting base, Side cover, with snap-on foot, height: 45 mm, color: green, Note: when using this lateral element, profile length = PCB length.

Phoenix Contact 2020 © - all rights reserved  
<http://www.phoenixcontact.com>

PHOENIX CONTACT GmbH & Co. KG  
Flachmarktstr. 8  
32825 Blomberg  
Germany  
Tel. +49 5235 300  
Fax +49 5235 3 41200  
<http://www.phoenixcontact.com>