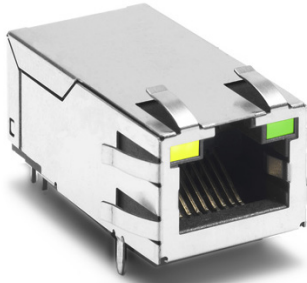


**Description:**

100/1000 Base-T single port (1x1) RJ45 integrated connector module (ICM), designed to support Network Interface Cards (NIC), LAN-on-Motherboard (LOM), and PC applications. Available in TAB-UP configuration and with or without LEDs.



**Features and Benefits:**

- Ⓜ Compliant with IEEE 802.3 standard
- Ⓜ 350µH minimum OCL with 8mA bias current
- Ⓜ Suitable for CAT 5 and 6 Fast Ethernet cable or better UTP
- Ⓜ High performance for maximum EMI suppression
- Ⓜ RoHS peak wave solder temperature rating 260°C

**Electrical Specifications @ 25°C - Operating Temperature 0°C to +70°C**

RoHS Part Number	Tab Orientation	LEDs L/R	Insertion Loss TX/RX (dB)	Return Loss (dB TYP) 100Ω (± 15 Ω)					Crosstalk (dB TYP)			Common Mode Rejection (dB TYP)		Hipot @ 60Hz 1 MIN
				1-100 MHz	1-10 MHz	30 MHz	60-80 MHz	80-100 MHz	1-10 MHz	30-60 MHz	60-100 MHz	1-125 MHz	125-500 MHz	
JKO-0114NL	UP	G/G	-1.0	-20	-16	-12	-10	-40	-35	-30	-30	-20	2250 VDC	
JKO-0116NL	UP	Y-G/G	-1.0	-20	-16	-12	-10	-40	-35	-30	-30	-20	2250 VDC	
JKO-0117NL	UP	NONE	-1.0	-20	-16	-12	-10	-40	-35	-30	-30	-20	2250 VDC	
JKO-0136NL	UP	Y-G/G	-1.0	-20	-16	-12	-10	-40	-35	-30	-30	-20	2250VDC	
JKO-0187NL	UP	G/G	-1.0	-20	-16	-12	-10	-40	-35	-30	-30	-20	2250VDC	
JKO-0193NL	UP	G/Y	-1.0	-20	-16	-12	-10	-40	-35	-30	-30	-20	2250VDC	

**Notes:** 1. LEDs Left/Right: **G** = green; **Y** = yellow; **Y-G** = Bicolor

**RJ45 Durability Testing Rating**

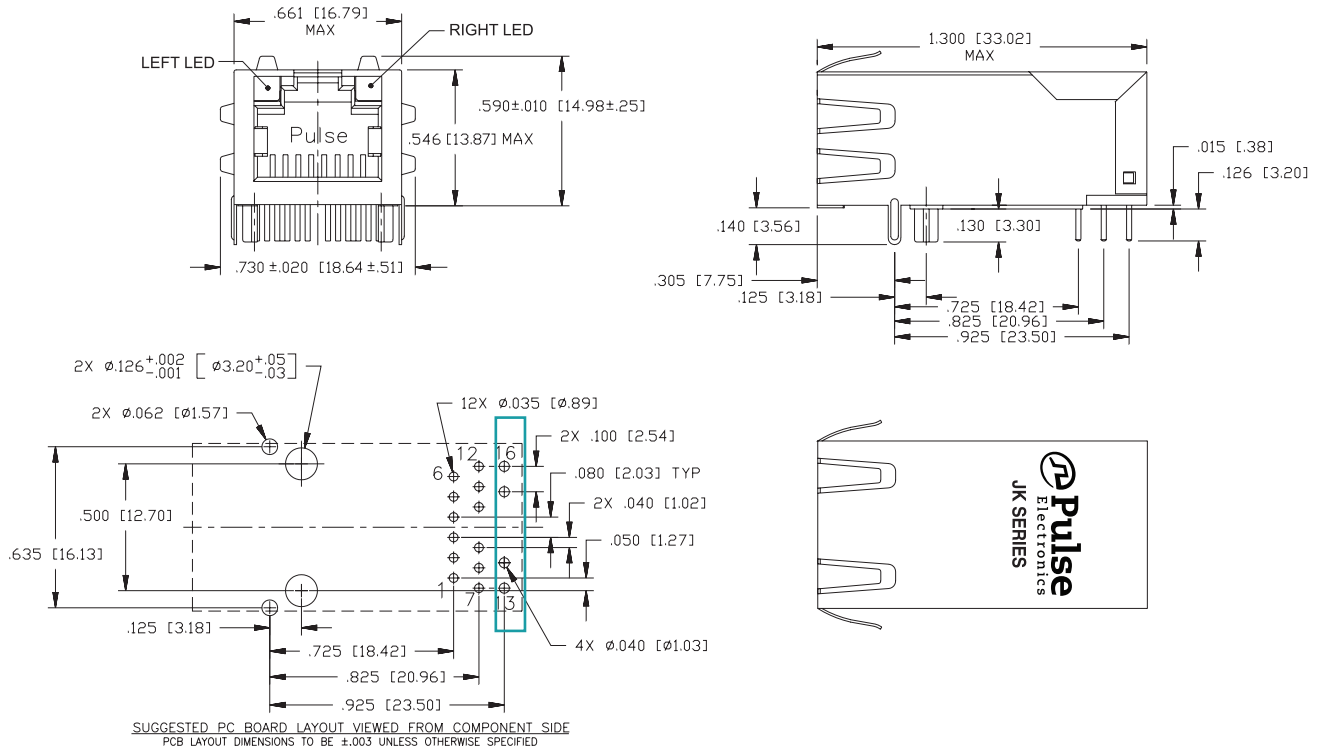
Part Number	Mating Force (MAX)	Unmating Force (MAX)	Durability	Plug to Jack Retention (MIN)
<b>JK Series</b>	5 lbs./2.268 kgs.	5 lbs./2.268 kgs.	750 Insertions	20 lbs./9.072 kgs.

**RJ45 Material Specification**

Part Number	Shield		Contact			Housing		
	Material	Finish	Material	Plating Area	Solder Area	Material	Specification	MSL
<b>JK Series</b>	Brass	30-50µ inches thick Nickel over brass	Phosphor Bronze	50µ inches gold over 50µ inches nickel	Tin matte finish	Thermoplastic	UL 94 V-0	1

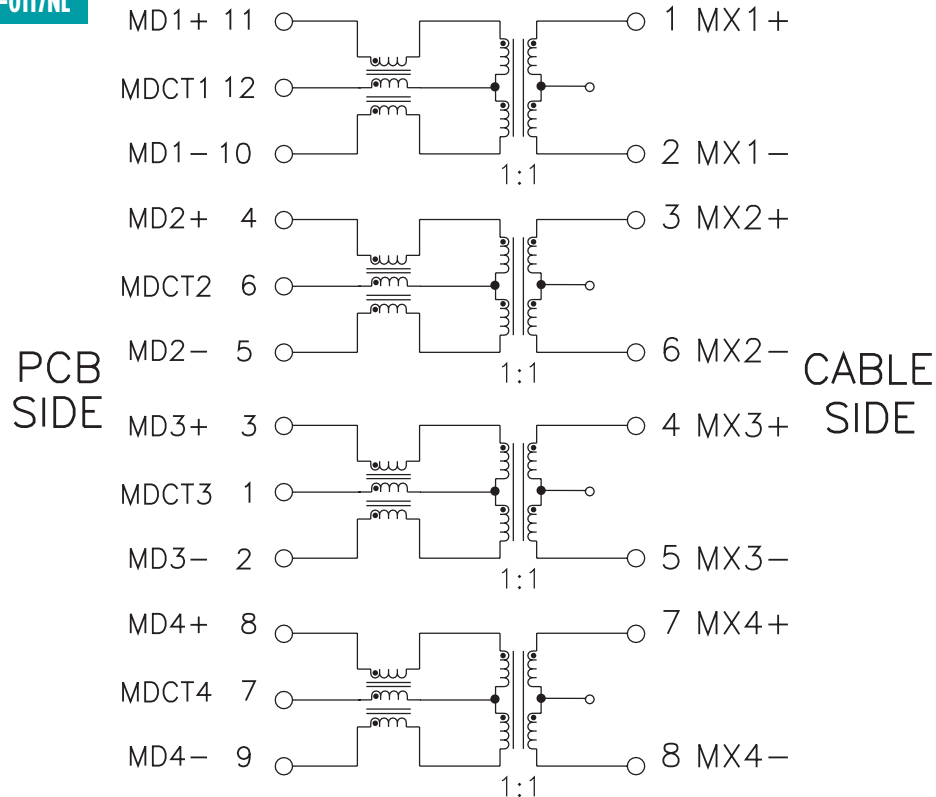
**Notes:** 1. **Connector** dimensions comply with FCC dimension requirements. 2. **MSL** = Moisture Sensitivity Level class limits = 1 to 5, highest (1) to lowest (5)

### Mechanicals



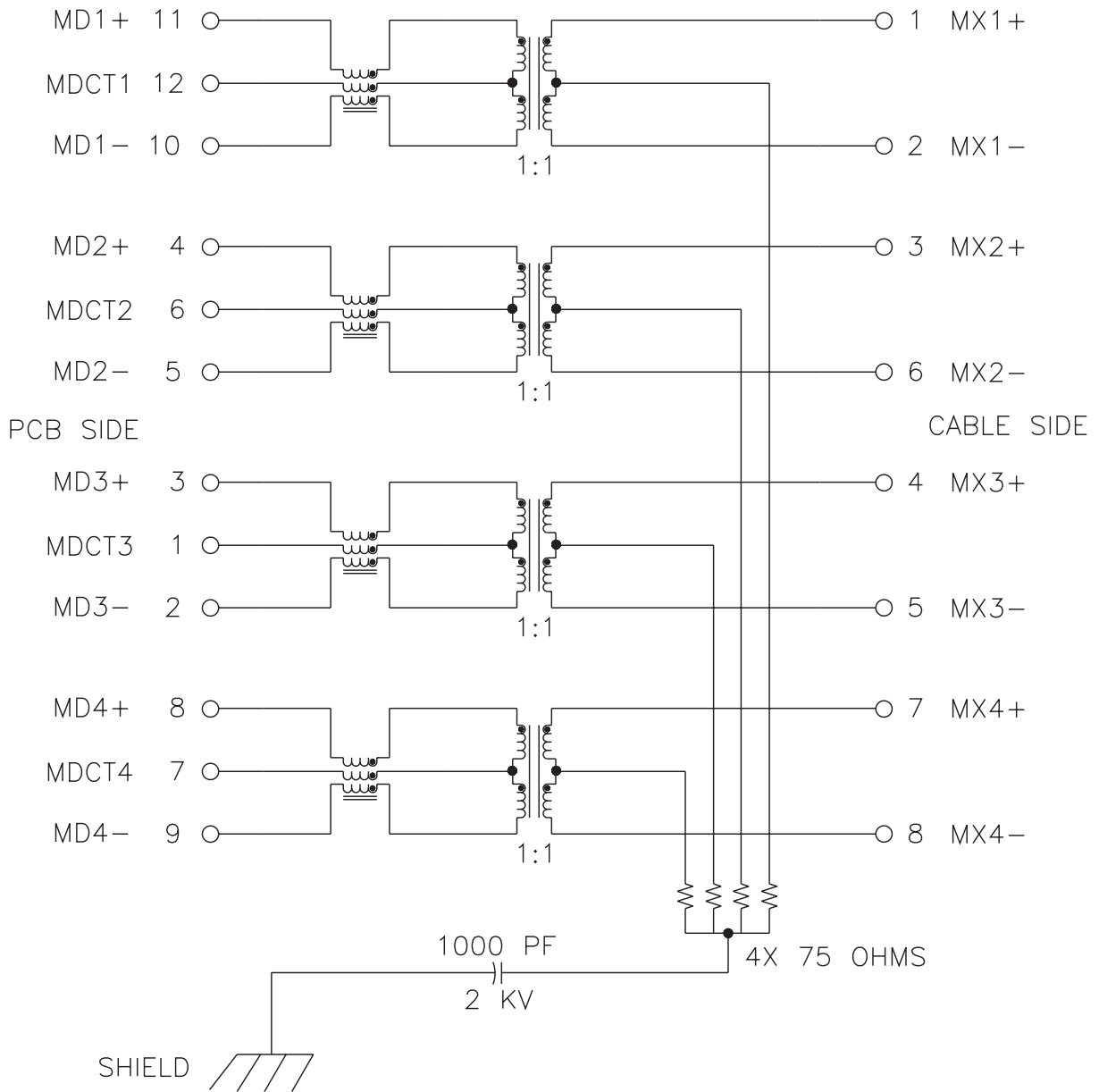
### Schematic

JKO-0114NL, JKO-0116NL, JKO-0117NL



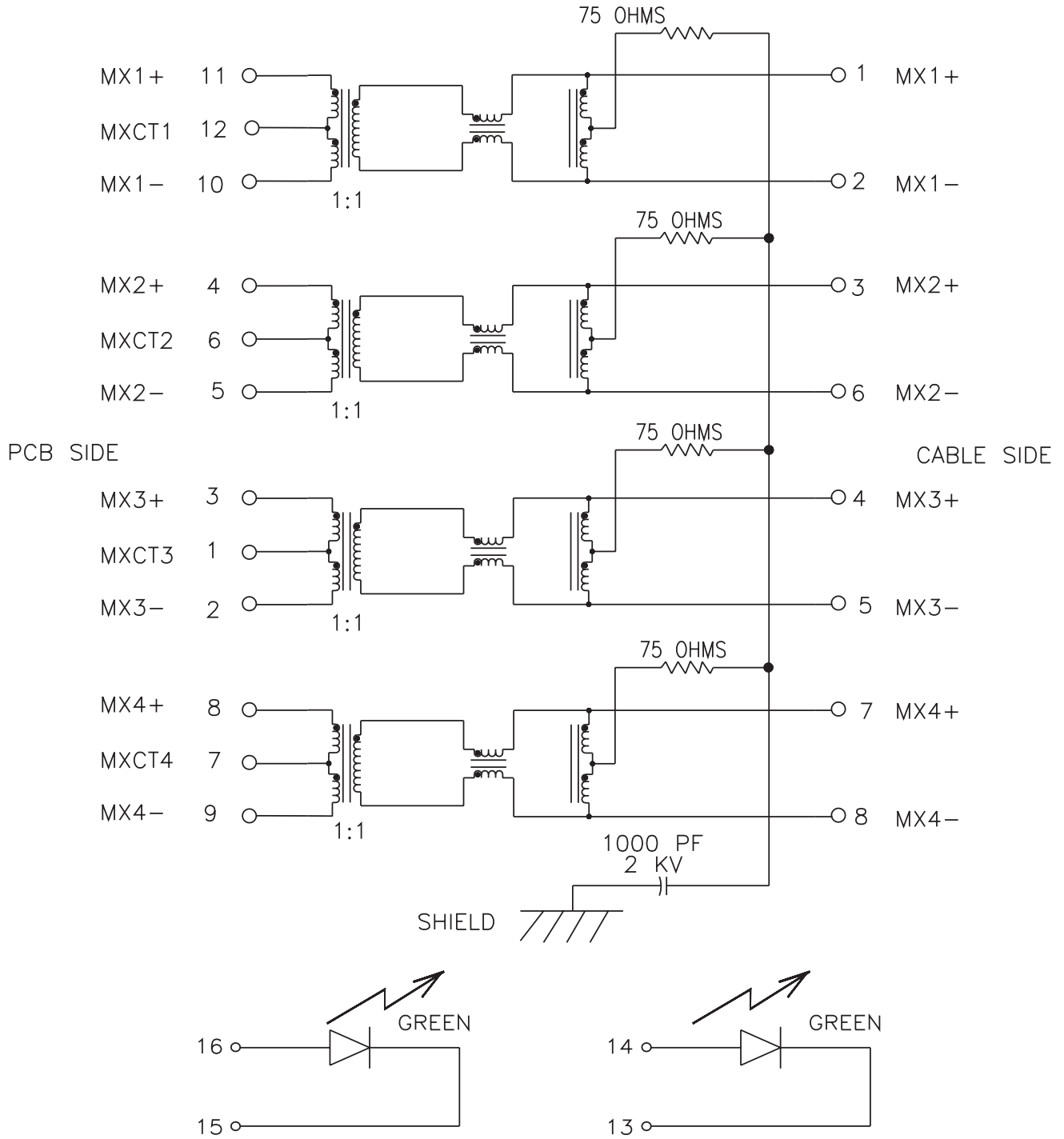
Schematic (continued)

JK0-0136NL



Schematic (continued)

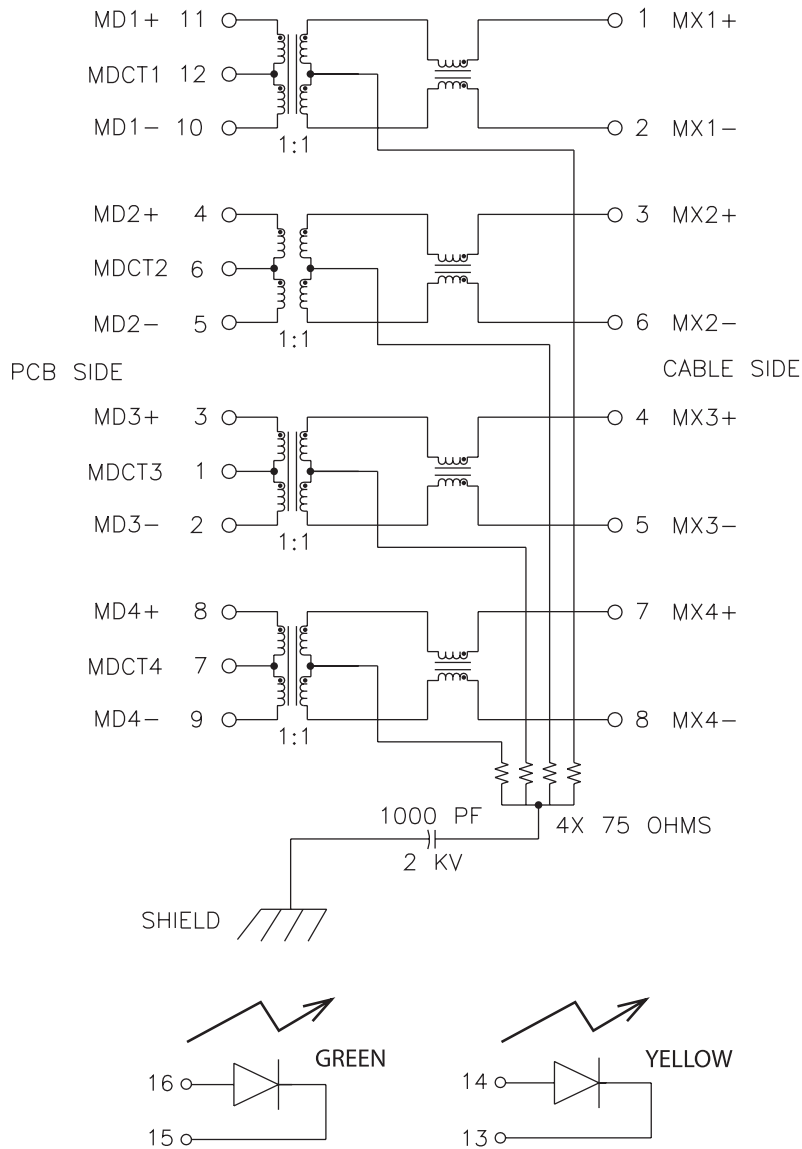
JKO-0187NL



# PulseJack™ Gigabit

## Schematic (continued)

JKO-0193NL



## For More Information

**Pulse Worldwide Headquarters**  
12220 World Trade Drive  
San Diego, CA  
92128  
U.S.A.

Tel: 858 674 8100

**Pulse Europe**  
Einsteinstrasse 1  
D-71083 Herrenberg  
Germany

Tel: 49 7032 7806

**Pulse China Headquarters**  
B402, Shenzhen Academy of  
Aerospace Technol-  
ogy Bldg.  
10th Kejinan Road  
High-Tech Zone  
Nanshan District  
Shenzen, PR China  
518057

**Pulse North China**  
Room 2704/2705  
Super Ocean Finance  
Ctr.  
2067 Yan An Road  
West  
Shanghai 200336  
China

**Pulse South Asia**  
135 Joo Seng Road  
#03-02  
PM Industrial Bldg.  
Singapore 368363

Tel: 65 6287 8998  
Fax: 65 6287 8998

**Pulse North Asia**  
3F, No. 198  
Zhongyuan Road  
Zhongli City  
Taoyuan County 320  
Taiwan R. O. C.  
Tel: 886 3 4356768  
Fax: 886 3 4356823  
(Pulse)

Performance warranty of products offered on this data sheet is limited to the parameters specified. Data is subject to change without notice. Other brand and product names mentioned herein may be trademarks or registered trademarks of their respective owners. © Copyright, 2012. Pulse Electronics, Inc. All rights reserved.