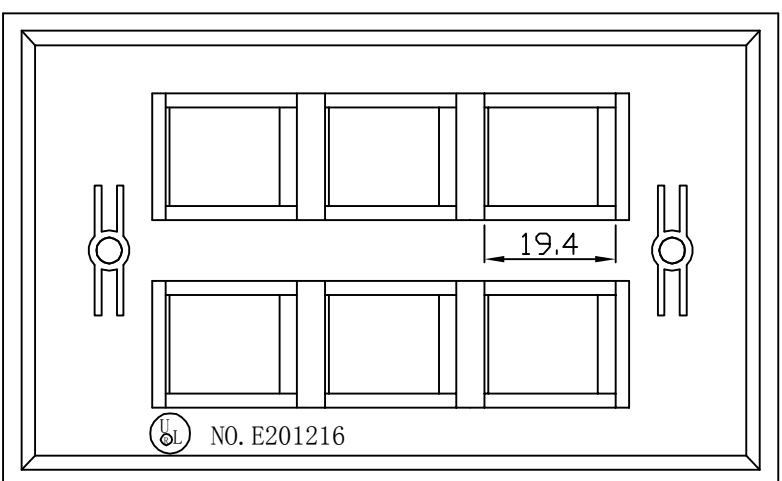
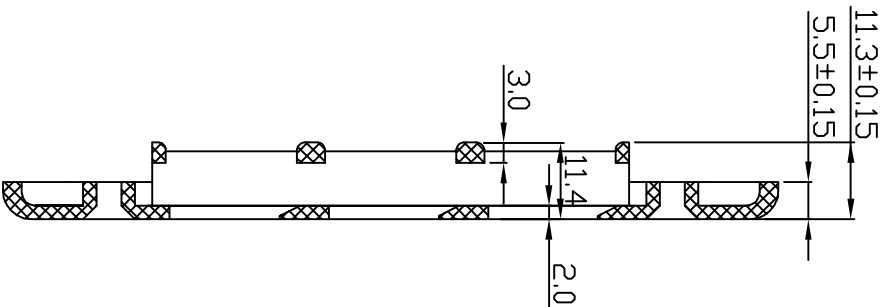
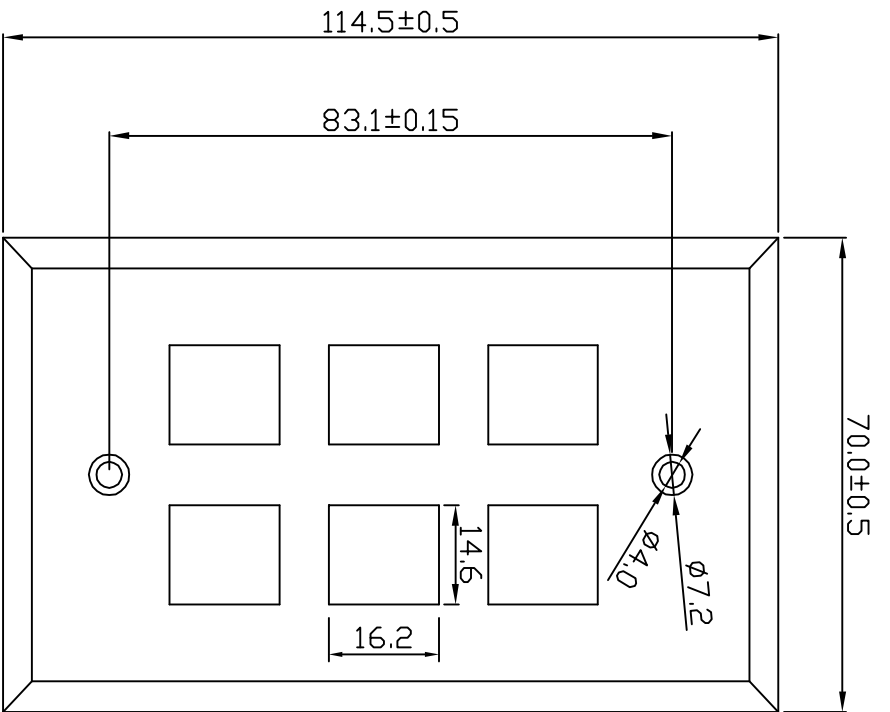
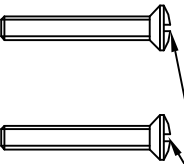


6 PORTS KEYSTONE FACEPLATE




PLATED WITH LACQUER



6*250M SCREW

OTHER TOLERANCE: 0.1

				DESCRIPTION	KEYSTONE WALL PLATE	SCALE	F I T	UNITS: MM	1RD ANGLE
APPROVED	CHECKED	DRAWING	DESIGNED	MODEL NO.	NFP-101X				
John Gao	Steven Cheng	John Gao		DRAWING NO.	99-CAT6-0001	▶		08/25/2005	A1
				FINISHING		SYM			REVISION
				MATERIAL					