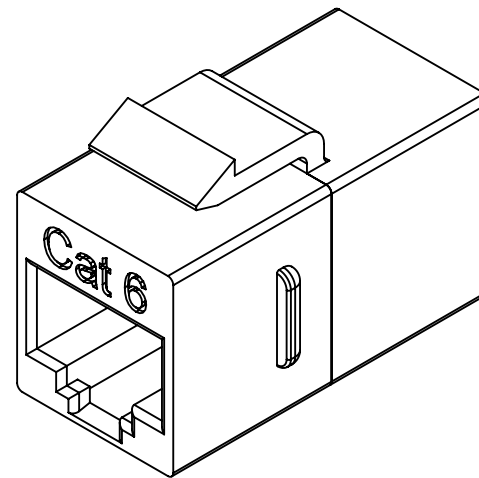
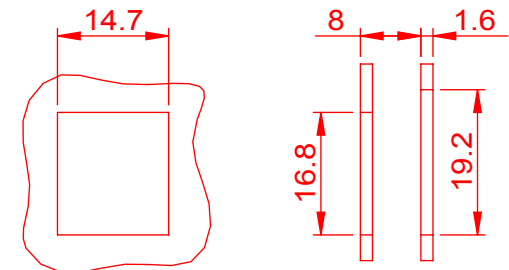


**SUGGESTED MOUNTING CUTOUT**



ACCORDING TO : ANSI/TIA-568-C.2  
ISO/IEC 11801 2nd Edition  
IEC 60603-7



**MATERIAL**

COUPLER HOUSING : PC,UL94V-0.  
CONTACT HOLDER : ABS,UL94V-0.  
SPRING WIRE : PHOSPHOR BRONZE,50U" GOLD PLATED.

**PHYSICAL CHARACTERISTICS**

INSERTION LIFE : 750 MATING CYCLES WITH FCC COMPLIANT 8P PLUG.  
CONTACT FORCE : 100 GRAMS WITH FCC COMPLIANT 8P PLUG.  
PLUG RETENTION FORCE : 11 LBF MIN.  
OPERATING TEMPERATURE RANGE : -10°C TO 60°C.  
STORAGE TEMPERATURE RANGE : -40°C TO 68°C.  
HUMIDITY : 10%~90%RH.

**ELECTRICAL**

INSULATION RESISTANCE : 500 MΩ.  
DIELECTRIC WITHSTANDING VOLTAGE : 1000 V AC.  
DC CURRENT RATING : 1.5 Amps.  
DC RESISTANCE : 0.1Ω.  
CONTACT RESISTANCE : 20mΩ.

**NOTE**

\* ONLY ACCEPT RJ-45 8P8C PLUG.

Scale		2:1				Quest Technology Int'l, Inc 11200 NW 138th St., Medley, FL 33178			
3rd Angle Projection									
Unit		mm			Part No.		NKJ-6002		
Date		2013/9/23			Title: Cat6 In-line Keystone Coupler, Black, UL				
Tolerance					Drawn by		Checked by		Drawing No.
~20	~50	~150	150~	ANGLE	BORUEI				
±0.2	±0.4	±0.5	±1.5	±2°					