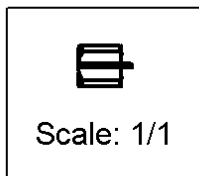
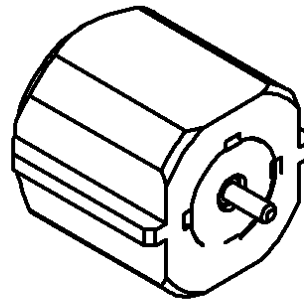
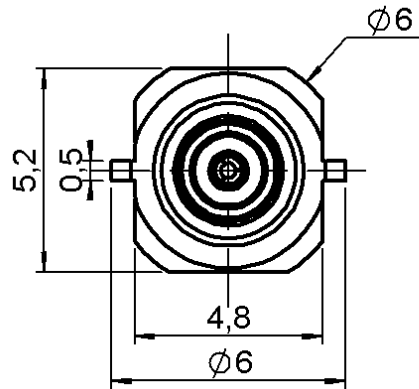
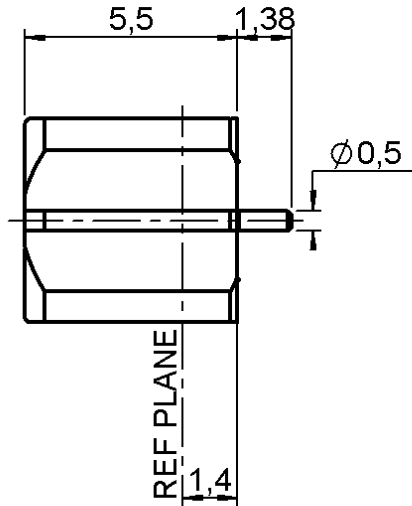


**STRAIGHT JACK RECEPTACLE FOR PCB**

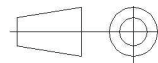
**R113.423.000**

**SMT TYPE - EDGE CARD**

Series : MCX



All dimensions are in mm.



| COMPONENTS     | MATERIALS        | PLATINGS (µm)          |
|----------------|------------------|------------------------|
| BODY           | BRASS            | GOLD 0.2 OVER NICKEL 2 |
| CENTER CONTACT | BERYLLIUM COPPER | GOLD 1.3 OVER NICKEL 2 |
| OUTER CONTACT  | -                | -                      |
| INSULATOR      | PTFE             | -                      |
| GASKET         | -                | -                      |
| OTHERS PARTS   | -                | -                      |
| -              | -                | -                      |
| -              | -                | -                      |

Issue : 0424 D

In the effort to improve our products, we reserve the right to make changes judged to be necessary.



**STRAIGHT JACK RECEPTACLE FOR PCB**

**R113.423.000**

**SMT TYPE - EDGE CARD**

Series : **MCX**

**PACKAGING**

**SPECIFICATION**

| Standard   | Unit              | Other             |
|------------|-------------------|-------------------|
| <b>100</b> | <b>'W' option</b> | <b>Contact us</b> |

**ELECTRICAL CHARACTERISTICS**

|                                 |                 |                               |
|---------------------------------|-----------------|-------------------------------|
| Impedance                       |                 | <b>50</b> Ω                   |
| Frequency                       |                 | <b>0-6</b> GHz                |
| VSWR                            | <b>1.05</b> * + | <b>0.015</b> x F(GHz) Maxi    |
| Insertion loss                  |                 | <b>0.03</b> * √F(GHz) dB Maxi |
| RF leakage                      | - (             | <b>NA</b> - F(GHz)) dB Maxi   |
| Voltage rating                  |                 | <b>335</b> Veff Maxi          |
| Dielectric withstanding voltage |                 | <b>1000</b> Veff mini         |
| Insulation resistance           |                 | <b>1000</b> MΩ mini           |

**ENVIRONMENTAL**

|                       |                     |
|-----------------------|---------------------|
| Operating temperature | <b>-55/+155</b> ° C |
| Hermetic seal         | <b>NA</b> Atm.cm3/s |
| Panel leakage         | <b>NA</b>           |

**OTHERS CHARACTERISTICS**

Assembly instruction

Others :

\* Coaxial Tansmission Line Only

**MECHANICAL CHARACTERISTICS**

|                            |              |             |
|----------------------------|--------------|-------------|
| Center contact retention   |              |             |
| Axial force – Mating end   | <b>10</b>    | N mini      |
| Axial force – Opposite end | <b>10</b>    | N mini      |
| Torque                     | <b>NA</b>    | N.cm mini   |
| Recommended torque         |              |             |
| Mating                     | <b>NA</b>    | N.cm        |
| Panel nut                  | <b>NA</b>    | N.cm        |
| Mating life                | <b>500</b>   | Cycles mini |
| Weight                     | <b>0.850</b> | g           |

Issue : 0424 D

In the effort to improve our products, we reserve the right to make changes judged to be necessary.



**STRAIGHT JACK RECEPTACLE FOR PCB**

**R113.423.000**

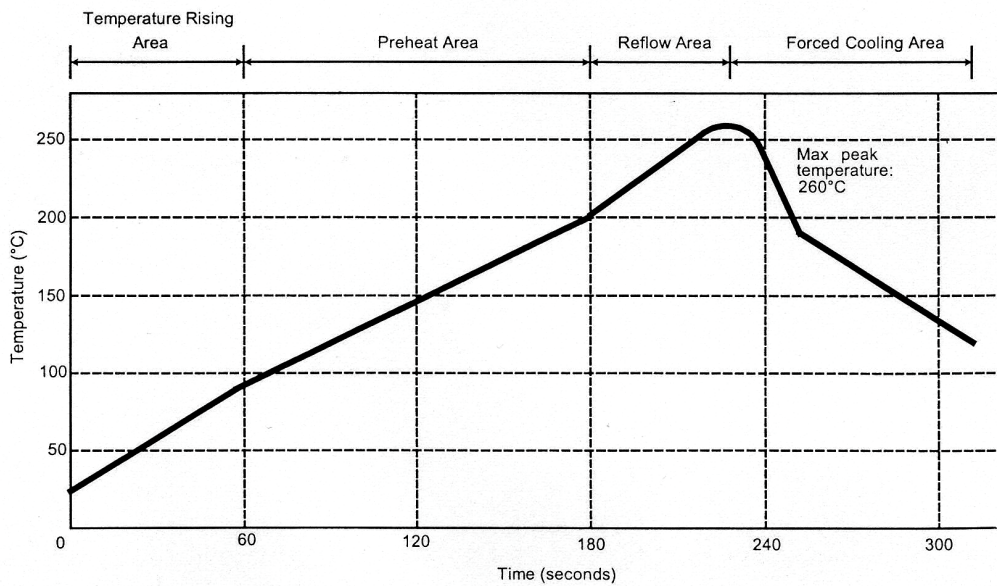
**SMT TYPE - EDGE CARD**

Series : MCX

**SOLDER PROCEDURE**

1. Deposit solder paste 'Sn Ag4 Cu0.5' on mounting zone by screen printing application. We recommend a low residue flux.  
We advise a thickness of 150 micromm ( 5.850 microinch ). Verify that the edges of the zone are clean.
2. Placement of the receptacle on the mounting zone with an automatic machine of 'pick and place' type.
3. Soldering by infra-red reflow.
4. Cleaning of printed circuit boards.
5. Checking of solder joints and position of the component by visual inspection.

**TEMPERATURE PROFILE**



| Parameter                        | Value     | Unit   |
|----------------------------------|-----------|--------|
| Temperature rising Area          | 1 - 4     | °C/sec |
| Max Peak Temperature             | 260       | °C     |
| Max dwell time @260°C            | 10        | sec    |
| Min dwell time @235°C            | 20        | sec    |
| Max dwell time @235°C            | 60        | sec    |
| Temperature drop in cooling Area | -1 to - 4 | °C/sec |
| Max dwell time above 100°C       | 420       | sec    |

Issue : 0424 D

In the effort to improve our products, we reserve the right to make changes judged to be necessary.



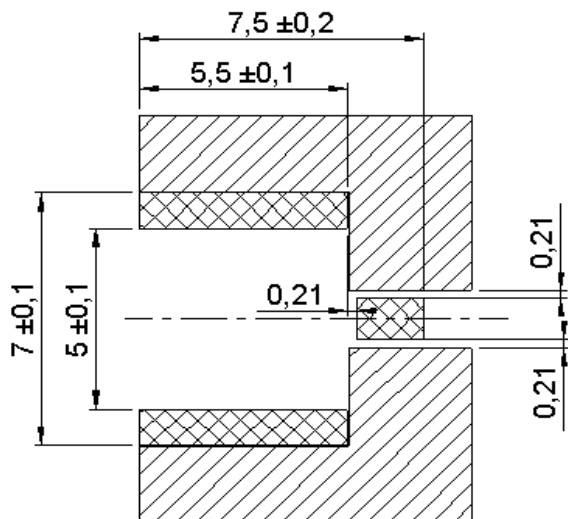
**STRAIGHT JACK RECEPTACLE FOR PCB**

**R113.423.000**

**SMT TYPE - EDGE CARD**

Series : MCX

**MCX SERIES - INFORMATIONS**



 Pattern

 Land for solder paste

**COPLANAR LINE**

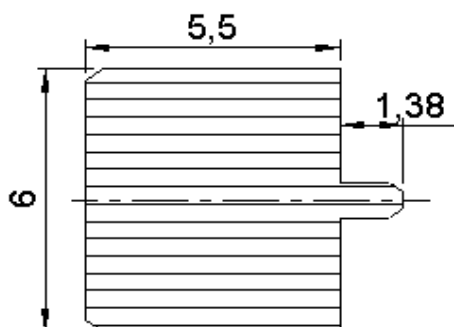
Pattern and signal are on the same side

Thickness of PCB : 1.6mm

The material of PCB is the epoxy resin of glass fabrics bacs.(En -4.8)

The solder resist should be printed except for the land pattern on the PCB.

**SHADOW OF MCX RECEPTACLE FOR VIDEO CAMERA**



Issue : 0424 D

In the effort to improve our products, we reserve the right to make changes judged to be necessary.

