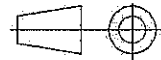
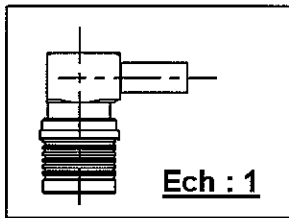
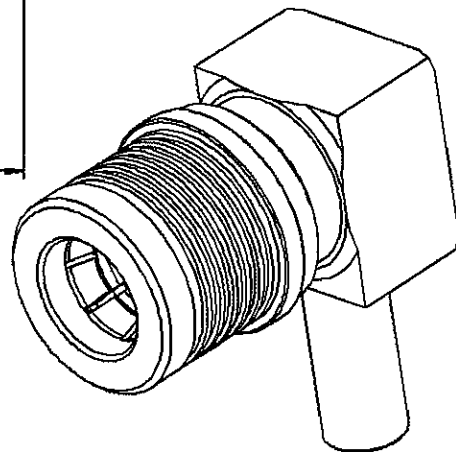
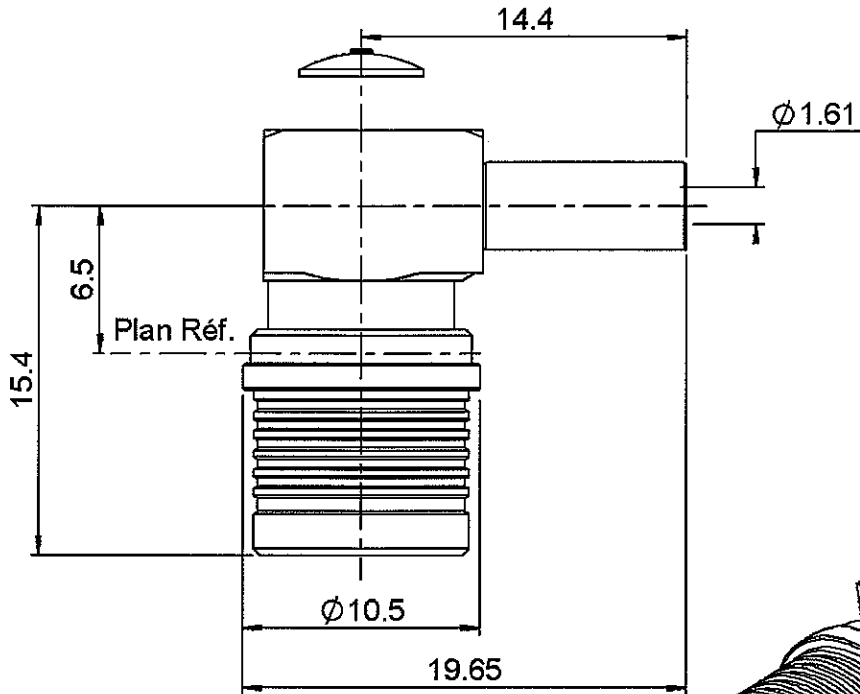


RIGHT ANGLE PLUG CRIMP TYPER

R123.172.000

CABLE 2.6/50 S

Series : QMA



All dimensions are in mm.

COMPONENTS	MATERIALS	PLATINGS (µm)
BODY	BRASS	BBR 2
CENTER CONTACT	BRASS	GOLD 0.2 OVER NICKEL PHOSPHORUS 2
OUTER CONTACT	BRASS	BBR 2
INSULATOR	PTFE	
GASKET		
OTHERS PARTS	BRASS	BBR 2
-	-	-
-	-	-

Issue : 0528 G

In the effort to improve our products, we reserve the right to make changes judged to be necessary.



RIGHT ANGLE PLUG CRIMP TYPER

R123.172.000

CABLE 2.6/50 S

Series : QMA

PACKAGING

Standard	Unit	Other
100	'W' option	Contact us

SPECIFICATION

ELECTRICAL CHARACTERISTICS

Impedance		50 Ω
Frequency		0-6 GHz
VSWR	1.15 +	0.030 x F(GHz) Maxi
Insertion loss		.05 √F(GHz) dB Maxi
RF leakage	- (***80 - F(GHz)) dB Maxi
Voltage rating		250 Veff Maxi
Dielectric withstanding voltage		750 Veff mini
Insulation resistance		5000 MΩ mini

CABLE ASSEMBLY

Stripping	a	b	c	d	e	f
mm	2.00	7.00	13.0	0.00	11.0	0.00

Assembly instruction : **Crimp 05**

Recommended cable(s)
 RG 188
 RG 316
 KX 22A
 ECO 316

Characteristics indicated on this data sheet are those that can be achieved with the highest performance cable. Intrinsic limitations of the cable may diminish the performance of the assembly

Cable retention
 - pull off **90** N mini
 - torque **NA** N.cm

MECHANICAL CHARACTERISTICS

Center contact retention		
Axial force – Mating end	18	N mini
Axial force – Opposite end	27	N mini
Torque	NA	N.cm mini

Recommended torque		
Mating	NA	N.cm
Panel nut	NA	N.cm
Clamp nut	NA	N.cm
A/F clamp nut	0.000	mm

Mating life	100	Cycles mini
Weight	7.940	g

TOOLING

Part Number	Description	Hexagon
.	.	.
R282.211.000	CRIMPING TOOL	3.25
R282.235.003	CRIMPING DIES	3.25
R282.293.000	CRIMPING TOOL	

OTHERS CHARACTERISTICS

**Intermod. : <-120dBc at 1.8GHz (2x20W)
 ***RF leakage(interface) 3<F<6GHz:<-70dB

ENVIRONMENTAL

Operating temperature	-40/+80	°C
Hermetic seal	NA	Atm.cm3/s
Panel leakage	NA	

Issue : 0528 G

In the effort to improve our products, we reserve the right to make changes judged to be necessary.

