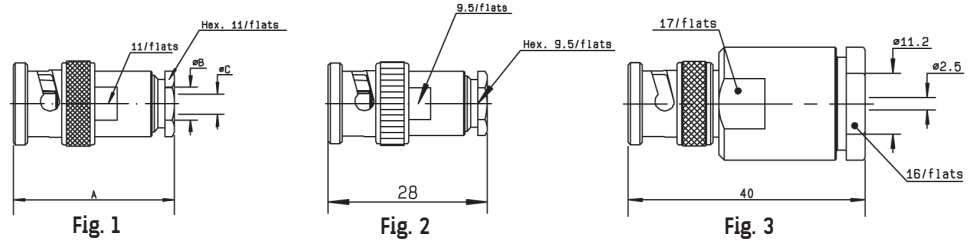


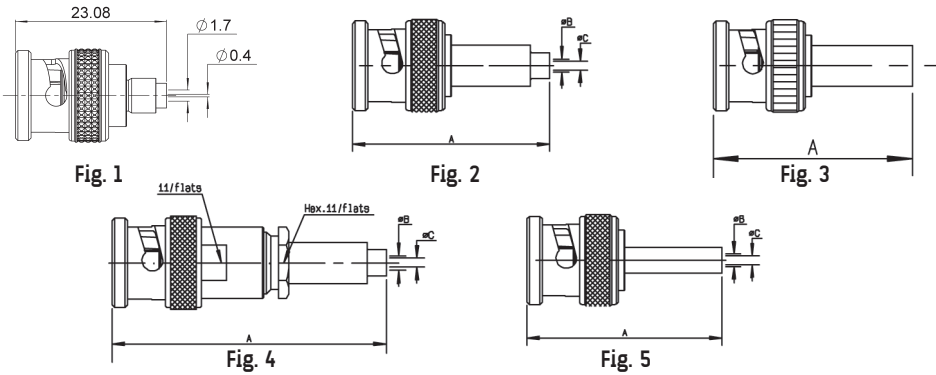
STRAIGHT PLUGS

STRAIGHT PLUGS CLAMP TYPE



Cable group	Cable group dia.	Part number	Fig.	Dimensions (mm)			Captive center contact	Note
				A	B	C		
RG178/RG196	2/50/S + D	R141 003 000	1	27	2.2	0.6	yes	
RG174/RG316/RD316	2.6/50/S + D	R141 004 000			3.1			
RG58/RG141	5/50/S	R141 007 161	2				no	Commercial version
RG58/RG141/RG142/RG223/RG400	5/50/S + D	R141 008 000	1	28	5.6	1.2	no	
		R141 009 000	1	28	5.6	1.2	no	
		R141 010 000				1.05	yes	
RG213/RG393/RG214/RG216	10 + 11/50/S + D	R141 018 000	3					
RG402	.141"	R141 052 000	1	29	3.65	1.2	no	Semi-rigid cable

STRAIGHT PLUGS FULL CRIMP TYPE FOR FLEXIBLE CABLES



Cable group	Cable group dia.	Part number	Fig.	Dimensions (mm)			Captive center contact	Note
				A	B	C		
RG178/RG196	2/50/S	R141 070 520	1	23	1.7	0.4	yes	Reverse crimp
RG174/RG316	2.6/50/S	R141 075 000	2	31	1.8	0.6	yes	Commercial version
		R141 075 161	3	30.3				
		R141A 075 161	3	26	1.7	0.6	yes	Not full crimp/ Single piece body ECO version
	3.55/50/S	R141 095 020	4	43	2.6	1.05	yes	
RG58/RG14	5/50/S	R141 072 000	4	39	3.1		yes	Single piece body
		R141 082 000	5	28				
		R141 082 161	3		28	3.1	1	yes
		R141A 082 161	3	30	3.1	1	yes	ECO version
RG142/RG223/RG400	5/50/D	R141 083 000	5	28	3	1.05	yes	Single piece body
		R141A 083 000	2	30	3.1	1.2	no	ECO version
		R141 097 000	4	43	3	1.05	yes	
	8.07/50	R141 097 190	4	50	6.3	2.5	yes	

For other types of cables (75Ω, 93Ω or BT cables), please see "additional connectors" on page 10-32. To download data sheets and assembly instructions, visit www.radiall.com & enter the part number in the Search box. **Bold** part numbers represent products typically in stock & available for immediate shipment. See page 8 and 9 for packaging information.