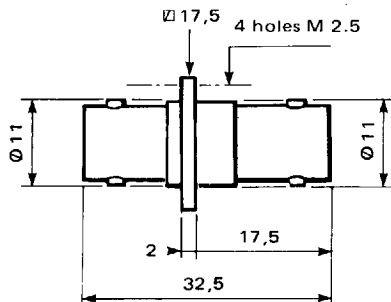
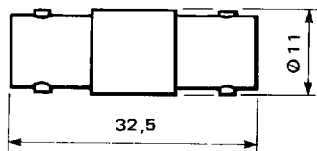
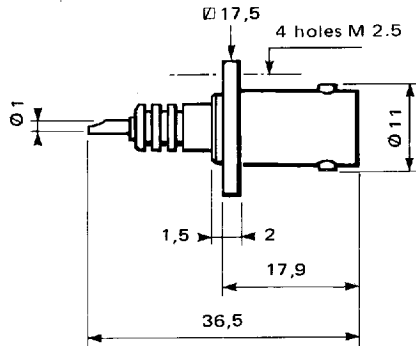
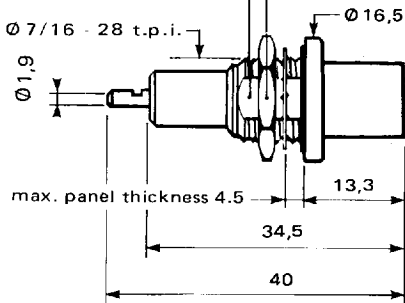
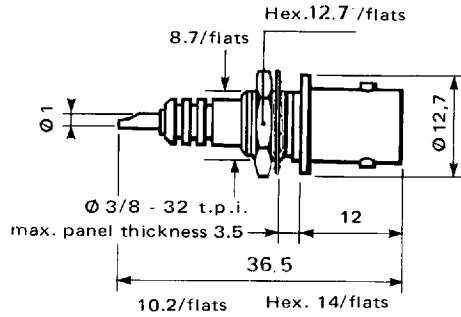


# BNC.HT series

CODE No.	STYLE	Cable Group $\Omega$		Assembly code	Panel Piercing	Weight (g)
----------	-------	-------------------------	--	---------------	----------------	------------

## RECEPTACLES



R 316 553

Bulkhead mounting

d 28

8,5

R 316 603

Bulkhead mounting  
panel seal

– Watertight :  $-40^{\circ}\text{C} + 70^{\circ}\text{C}$   
– at pressure : 3.5 bar max.

d 29

15

R 316 405

Square flange  
mounting  
Interchangeable  
with UG. 931/U

a 14

10

## ADAPTORS

R 316 704

Straight  
female - female

11

R 316 714

Square flange  
female - female

a 14

19