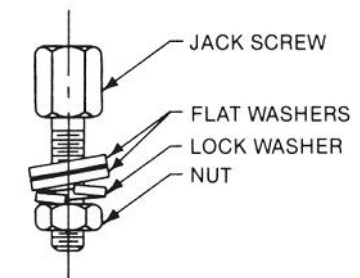
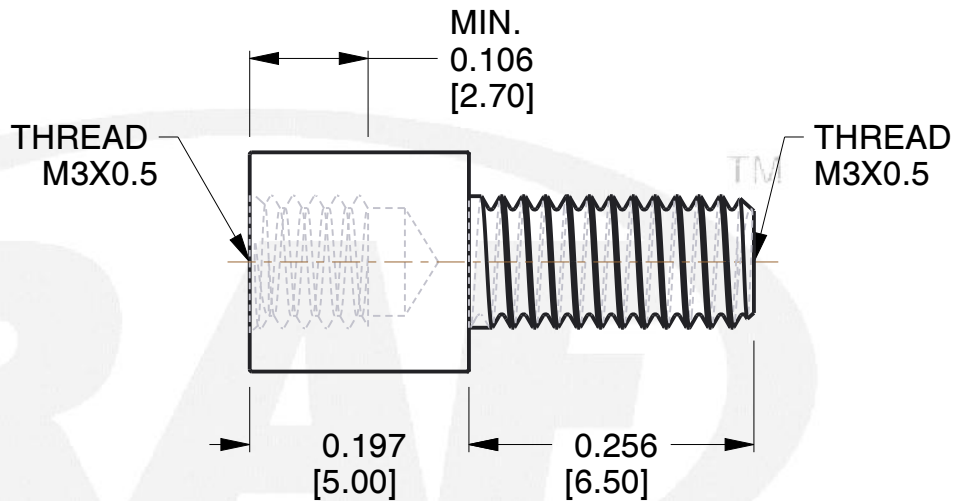
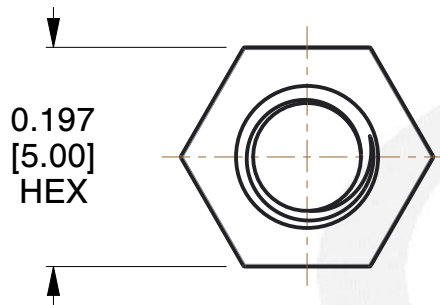
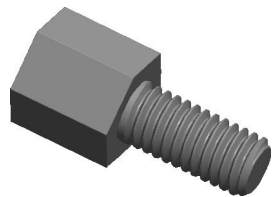


REV	CHANGE	DATE	DRN	CHK
	Drawn	02/08/17	SJ	T



ASSEMBLY

**NOTES:**

- SUPPLIED WITH TWO (2) FLAT WASHERS  
ONE (1) LOCK WASHER  
ONE (1) NUT
- SUPPLIED UNASSEMBLED
- Material : STEEL ASTM-108
- Finish : Zinc Plate Per ASTM B-633 (Yellow Chromate)
- ASME Y14.5M - 2009
- All Drawing Dimensions are in Inches [mm]
- Unless otherwise specified; Edge Breaks, Radii or Countersinks 0.005-0.015

COMPONENT	HEX JACK SCREWS	SCALE
M3236-3005-3005		2.64
5 MM HEX JACK SCREWS		SHEET
		1 of 1



95 Silvermine Rd., Seymour CT 06483  
Tel: 203-888-2133, Fax: 203-888-9860

This Drawing is the Property of RAF. It contains confidential, proprietary information that is RAF property. Do not disclose to or duplicate for others except as authorized by RAF.

**TOLERANCES**  
ALL DIMENSIONS ARE INCHES (UNLESS OTHERWISE SPECIFIED)  
**METALLIC**  
LENGTHS < 6 INCHES ± 0.005  
LENGTH > 6 INCHES ± 0.010  
DIAMETERS: ± 0.005  
**NON-METALLIC**  
LENGTH: ± 0.010 DIAMETERS: ± 0.010  
**INTERNAL THREADS:**  
MINIMUM THREAD DEPTH