

-SM, -LM,  
-FM only:  
RoHS Compliant  
**Pb**  
LEAD  
www.samtec.com/lead-free



# LOW PROFILE SOCKET CLH SERIES

Mates with:  
TSW, MTSW, DW, EW, ZW,  
TLW, TSM, MTLW

## SPECIFICATIONS

For complete specifications and recommended PCB layouts see www.samtec.com?CLH

**Insulator Material:**  
Black Liquid Crystal Polymer



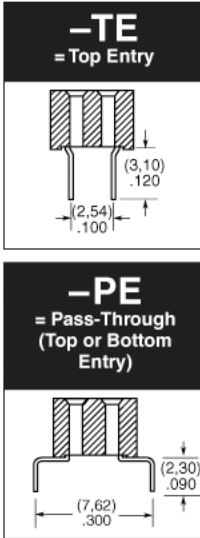
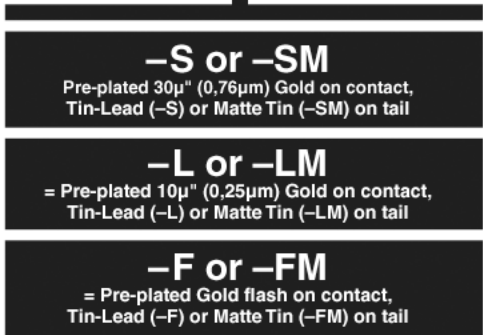
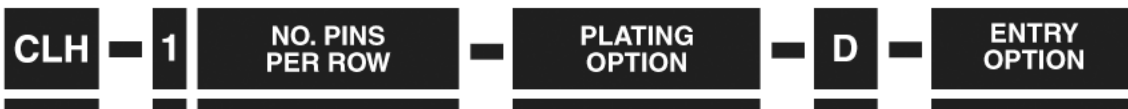
**Contact Material:**  
Phosphor Bronze  
**Operating Temp Range:**  
-55°C to +125°C with Gold  
-55°C to +105°C with Tin

**Plating:**  
Au or Sn over  
50µ" (1,27µm) Ni  
**Contact Resistance:**  
10 mΩ max  
**Insertion Depth:**  
(2,67mm) .105" to  
(3,43mm) .135"  
plug from top, (3,18mm) .125"  
min plus board thickness plug  
from bottom

**Insertion Force:**  
4.0oz (1,11N) average  
**Normal Force:**  
50 grams (0,48N)  
**Withdrawal Force:**  
1.1oz (0,31N) average  
**Max Cycles:**  
100 with 10µ" (0,25µm) Au  
**RoHS Compliant:**  
Yes

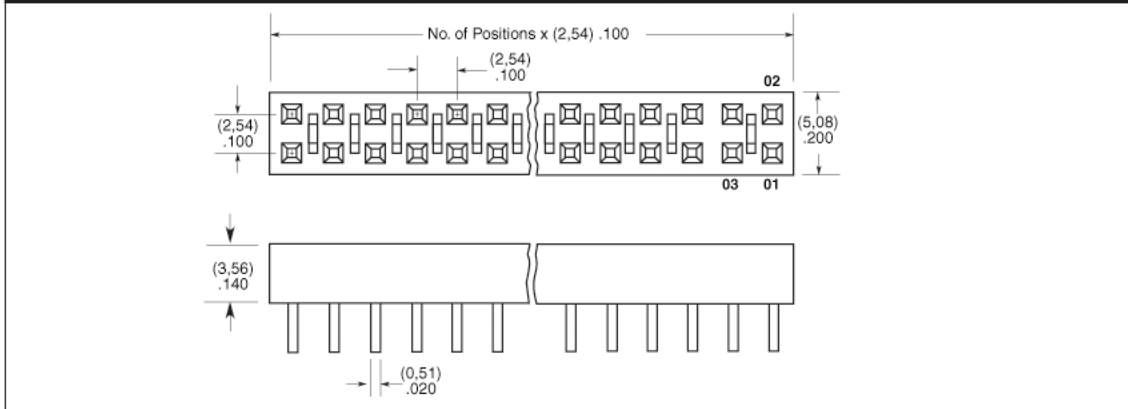
## Processing:

**Max Processing Temp:**  
230°C for 60 seconds, or  
260°C for 20 seconds 3x  
with Matte Sn plating  
**Lead-Free Solderable:**  
Wave, or reflow with  
Matte Sn plating  
**SMT Lead Coplanarity:**  
(0,10mm) .004" max



CURRENT RATING	
AMBIENT TEMPERATURE	DW mated with CLH
20°C	2.2A
40°C	2A
60°C	1.8A
80°C	1.2A

## 02 thru 50



**Note:** Some lengths, styles and options are non-standard, non-returnable.

Due to technical progress, all designs, specifications and components are subject to change without notice.

WWW.SAMTEC.COM