

# 75Ω MCX JACKS & PLUGS MCX7 SERIES

## SPECIFICATIONS

For complete specifications and recommended Cable Stripping see [www.samtec.com?MCX7](http://www.samtec.com?MCX7)

- Shell Material:** Brass
- Contact Material:** BeCu
- Insulator Material:** PTFE
- Impedance:** ST = 75Ω ±3Ω  
RA = 75Ω ±4Ω
- Frequency Range:** 0-6 GHz
- V.S.W.R:** 1.3 max  
(With optimized launch design)
- Working Voltage:** 170 Vrms max
- Dielectric Withstanding:** 500 Vrms min
- Contact Resistance:** Center Contact: 5mΩ max  
Outer Contact: 2.5mΩ max
- Insulator Resistance:** 1000 MΩ min
- Engagement Force:** 4.5 lbs max (-ST only)
- Disengagement Force:** 2.3 lbs max (-ST only)
- RoHS Compliant:** Yes

**Processing:**  
Lead-Free Solderable:  
Yes

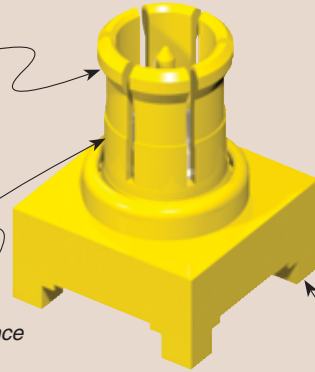
Mates with:  
RF179



Choice of  
Jacks & Plugs

Precision impedance  
tolerances for  
3 Gbps applications

Surface mount,  
through-hole  
and right angle



### MCX7

### GENDER

### TYPE

### PLATING

### ORIENTATION

### TERMINATION

**-P**  
= Plug

**-J**  
= Jack

**-P**  
= PCB  
Mount

**-H**  
= 30μ" (0,76μm)  
Gold center  
contact,  
3μ" (0,08μm)  
Gold outer  
contact

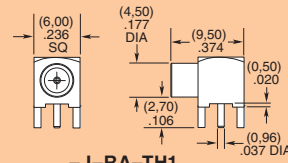
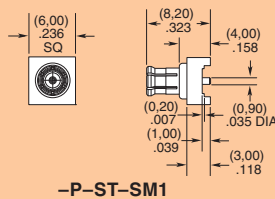
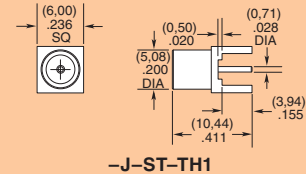
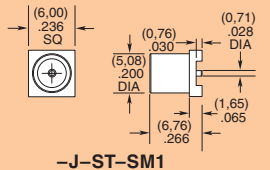
**-HN**  
= 30μ" (0,76μm)  
Gold center  
contact,  
3μ" (0,08μm)  
Gold outer  
contact,  
50μ" (1,27μm)  
Nickel body  
(Available on  
RA only)

**-ST**  
= Straight

**-RA**  
= Right Angle  
(-J-TH1 only)

**-SM1**  
= Surface Mount  
(-ST only)

**-TH1**  
= Through-hole  
(-J only)



Due to technical progress, all designs, specifications and components are subject to change without notice.

[WWW.SAMTEC.COM](http://WWW.SAMTEC.COM)