



(2.54 mm) .100"

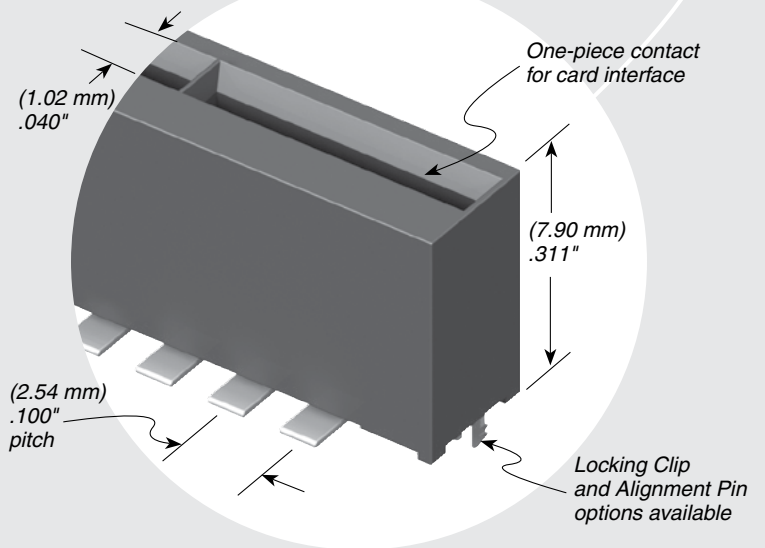
PEC SERIES

POWER EDGE CARD CONNECTOR

SPECIFICATIONS

For complete specifications and recommended PCB layouts see www.samtec.com?PEC

- Insulator Material:**
Black Liquid Crystal Polymer
- Contact Material:**
BeCu
- Plating:**
Sn over 50 μ" (1.27 μm) Ni
- Current Rating:**
7.5 A per pin
(1 pin powered)
- Operating Temp Range:**
-55 °C to +105 °C
- Voltage Rating:**
250 VAC
- RoHS Compliant:**
Yes



PROCESSING

- Lead-Free Solderable:**
Yes
- SMT Lead Coplanarity:**
(0.10 mm) .004" max

RECOGNITIONS

For complete scope of recognitions see www.samtec.com/quality



PEC	NO. PINS PER ROW	LEAD STYLE	PLATING OPTION	S	OPTION
	-03, -07, -10	-01 = Straight Tail -02 = Surface Mount	-T = Matte Tin		-A = Alignment Pin (N/A with -LC) -LC = Locking Clip (Manual placement required) (N/A with -A)

NO. OF POSITIONS	A	B	C
-03	(12.70) .500	(11.43) .450	N/A
-07	(22.86) .900	(21.59) .850	(8.89) .350
-10	(30.48) 1.200	(29.21) 1.150	(11.43) .450

Note:
Some sizes, styles and options are non-standard, non-returnable.

Due to technical progress, all designs, specifications and components are subject to change without notice.

WWW.SAMTEC.COM

All parts within this catalog are built to Samtec's specifications.
Customer specific requirements must be approved by Samtec and identified in a Samtec customer-specific drawing to apply.