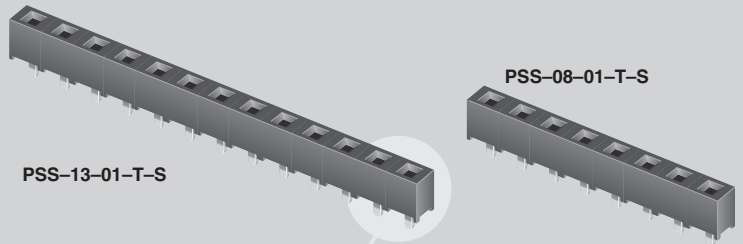




(5,08 mm) .200"

PSS SERIES

POWER SOCKET STRIP



SPECIFICATIONS

For complete specifications and recommended PCB layouts see www.samtec.com?PSS

Insulator Material: Black LCP

Contact Material: BeCu



Plating: Sn over 50µ" (1,27 µm) Ni

Insertion Depth: (2,62 mm) .103" to (5,03 mm) .198"

Insertion Force: (Single contact only) 28 oz (7,78 N) avg

Withdrawal Force: (Single contact only) 20 oz (5,56 N) avg

Voltage Rating: 500 VAC mated with FWS

Lead-Free Solderable: Yes

SMT Lead Coplanarity: (0,15 mm) .006" max (02-14)

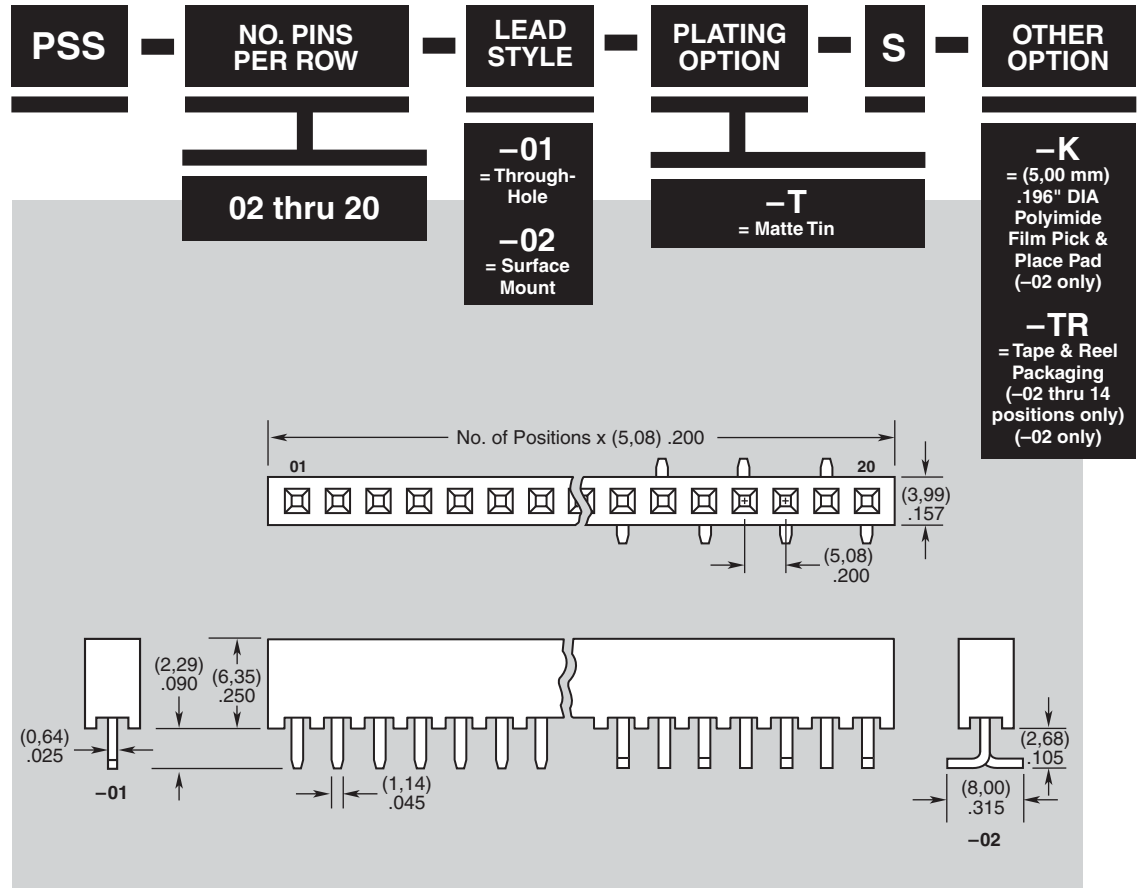
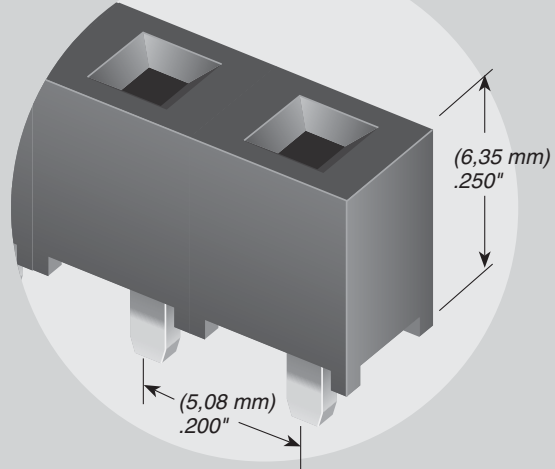
(0,20 mm) .008" max (15-20)

RoHS Compliant: Yes

Mates with: FWS, HFWS, SW, HPM, HPW

POWER BUY CONTACT

CURRENT RATING (PER CONTACT)	
AMBIENT TEMP	PSS/FWS
20°C	16.3A
40°C	15.0A
60°C	13.0A
95°C	8.7A
4 POSITIONS POWERED	



Note: Some lengths, styles and options are non-standard, non-returnable.

Due to technical progress, all designs, specifications and components are subject to change without notice.

WWW.SAMTEC.COM