

(5,08 mm) .200"

PSS SERIES

# POWER SOCKET STRIP

## SPECIFICATIONS

For complete specifications and recommended PCB layouts see [www.samtec.com?PSS](http://www.samtec.com?PSS)

**Insulator Material:** Black LCP

**Contact Material:** BeCu

**Plating:** Sn over 50µ" (1,27 µm) Ni

**Current Rating (PSS/FWS):** 11.4 A per pin (1 pin powered)

**Insertion Depth:** (2,62 mm) .103" to (5,03 mm) .198"

**Insertion Force:** (Single contact only) 28 oz (7,78 N) avg

**Withdrawal Force:** (Single contact only) 20 oz (5,56 N) avg

**Voltage Rating:** 500 VAC mated with FWS

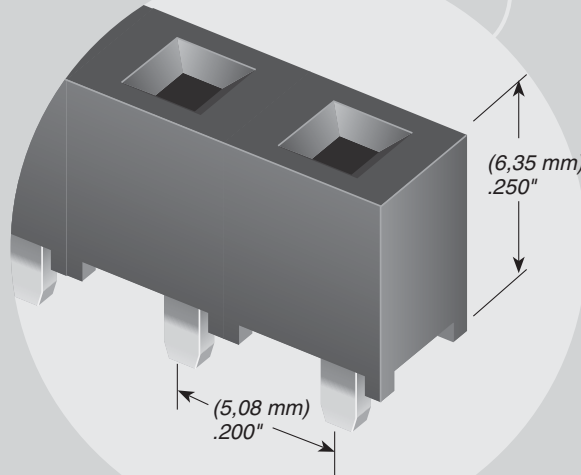
**Lead-Free Solderable:** Yes

**SMT Lead Coplanarity:** (0,15 mm) .006" max (02-14) (0,20 mm) .008" max (15-20)

**RoHS Compliant:** Yes

**Mates with:** FWS, HFWS, SW, HPM, HPW

**POWER BUY CONTACT**



**PSS**

**NO. PINS PER ROW**

**LEAD STYLE**

**PLATING OPTION**

**S**

**OTHER OPTION**

02 thru 20

**-01**  
= Through-Hole  
**-02**  
= Surface Mount

**-T**  
= Matte Tin

**-K**  
= (5,00 mm) .196" DIA Polyimide Film Pick & Place Pad (-02 only)

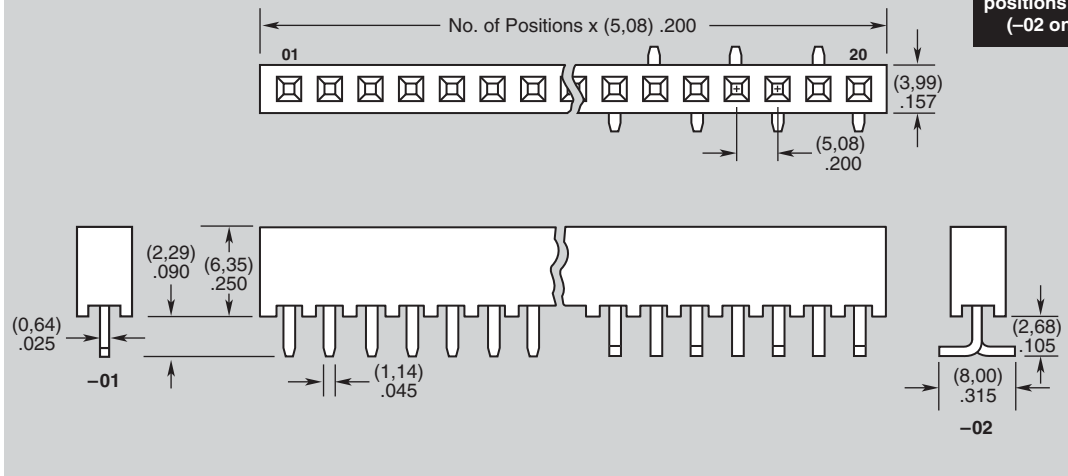
**-TR**  
= Tape & Reel Packaging (-02 thru 14 positions only) (-02 only)

## RECOGNITIONS

For complete scope of recognitions see [www.samtec.com/quality](http://www.samtec.com/quality)



FILE NO. E111594



**Note:** Some lengths, styles and options are non-standard, non-returnable.

Due to technical progress, all designs, specifications and components are subject to change without notice.

[WWW.SAMTEC.COM](http://WWW.SAMTEC.COM)