

Power Cord with Locking System for Inlet Filters IL 13, IL 13 P, IL 19



- Locking system for standardized IEC C14/C20 inlet filter
- No accidental disconnection
- Rated current up to 10 A (C13 plug), up to 15 A (C13P plug), and up to 16 A (C19 plug)
- Fits any Schaffner IEC C14/C20 inlet filter
- Retrofit for any IEC C14/C20 inlet
- Various power line plugs for international usage



Approvals



The locking system has a tensile force of typical 200N. It is recommended to use it with flange mount filters. For details refer to our Application Note "Using IEC Lock Power Cords with IEC Inlets and Filters"

Schaffner power cords with IEC lock guard against accidental disconnection of all electrical appliances with an IEC inlet. No exchange or modification of the IEC inlet or IEC inlet filter system is needed. Easy retrofit for all electronic equipments and devices.

Technical specifications IL 13/IL 13 P

Maximum continuous operating voltage	250 VAC, 50/60 Hz
Rated currents	10 A for C13 plug, 15 A for C13P plug
High potential test voltage	P → PE 2000 VAC (1 min 50 Hz) P → N 2000 VAC (1 min 50 Hz)
Protection category	IP 20 according IEC 60529
Temperature range (operation and storage)	-25°C to +70°C
Connector (load side)	IEC C13 according to IEC/EN 60320-2-2 with IEC Lock UL 498, CSA C22.2 no. 42 (for cold conditions) pin temperature 70°C, 10 A, Protection Class I
Connector (line side)	IEC C14 according to IEC/EN 60320-2-2; EU Schuko plug CEE7/VI; UK plug BS 1363; US NEMA 5-15 plug standard or hospital grade (UL 817); CH plug SEV 1011; JP plug JIS 8303 Other plugs on request Plugs: UL 94 V-2 or better; Cable: IEC 60332-1 Cat. F2
Flammability corresponding to	

Features and benefits

- Power cord with locking system for IEC inlets
- Protection class I (IL 13, IL 13 P)
- Suitable for use with any C14 IEC inlet (IL 13, IL 13 P) and C20 IEC inlet (IL 19)
- Fits the complete Schaffner IEC inlet filter program with C14 IEC inlet and C20 IEC inlet (IL 19)
- Max. pin temperature 70°C

Typical applications

- Data centers
- Industrial equipment
- Medical devices
- In-vitro diagnostic devices
- Broadcasting stations
- Mobile applications

Technical specifications IL 19

Maximum continuous operating voltage	250 VAC, 50/60 Hz
Rated currents	16 A (IEC)
Operating frequency	50 to 400 Hz
High potential test voltage	P → PE 2000 VAC (1 min 50 Hz) P → N 2000 VAC (1 min 50 Hz)
Protection category	IP 20 according IEC 60529
Temperature range (operation and storage)	-25°C to +70°C
Cable	2 m; 3 x 1.50 mm ² ; H05 VV-5; 6 ft; 3 x AWG14 SJT; black; other lengths or colors on request
Connector (load side)	IEC C19 according to IEC/EN 60320-2-2 with IEC lock, UL 498, CSA C22.2 no. 42 (for cold conditions) pin temperature 70°C, 16 A, Protection Class I
Connector (line side)	C20 according to IEC/EN 60320-2-2; EU Schuko plug CEE7/VI angled; UK plug BS 1363 angled; US plug NEMA 5-15 straight; other plugs on request Plugs: UL 94 V-2 or better; Cable: IEC 60332-1 Cat. F2
Flammability corresponding to	

Cable selection table IL 13

IL 13-C14-H05-3100-200	IEC cable assembly with locking system for IEC C14 inlet, EU version
IL 13-C14-SVT-3100-183	IEC cable assembly with locking system for IEC C14 inlet, US version
IL 13-CH1-H05-3100-X*	IEC cable assembly with locking system for IEC C14 inlet, CH version
IL 13-EU1-H05-3100-X*	IEC cable assembly with locking system for IEC C14 inlet, EU version
IL 13-JP1-HVCTF-3125-X*	IEC cable assembly with locking system for IEC C14 inlet, JP version
IL 13-SE-H05-3100-X*	IEC cable assembly with locking system for IEC C14 inlet, stripped ends
IL 13-UK1-H05-3100-200	IEC cable assembly with locking system for IEC C14 inlet, UK version
IL 13-US1-SVT-3100-Y*	IEC cable assembly with locking system for IEC C14 inlet, US version
IL 13-US2-SJT-3100-Y*	IEC cable assembly with locking system for IEC C14 inlet, US version, hospital grade

To compile a complete part number, please replace the x* or y* with the required length:

- X* options = 200, 300, 400
- Y* options = 6, 9 and 12 feet

Product selector IL 13

IL13-yyy-zzz-aaaa-bbb:

Cable selection table IL 13 P

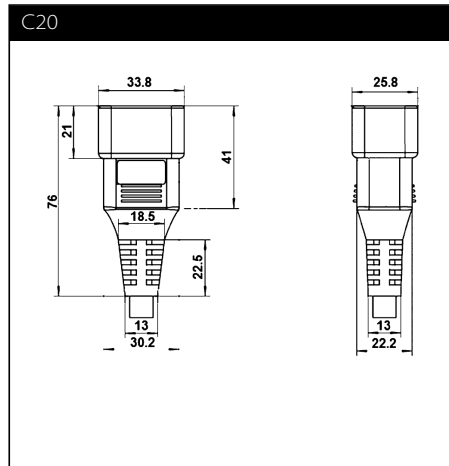
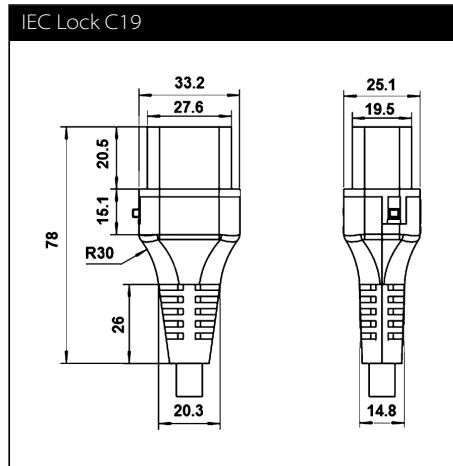
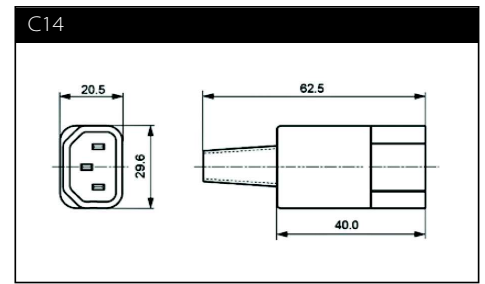
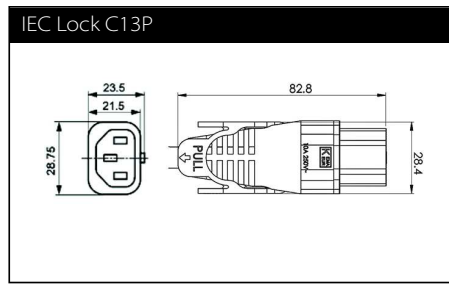
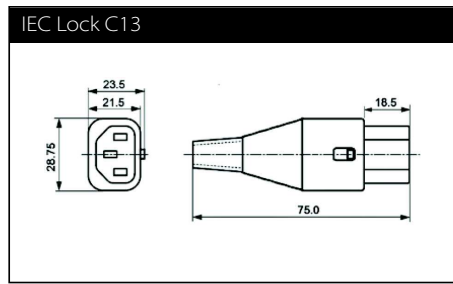
IL 13 P-C14-H05-3100-200	IEC cable assembly with locking system + for IEC C14 inlet, EU version
IL 13 P-CH1-H05-3100-200	IEC cable assembly with locking system + for IEC C14 inlet, CH version
IL 13 P-EU1-H05-3100-200	IEC cable assembly with locking system + for IEC C14 inlet, EU version
IL 13 P-JP1-HVCTF-3125-200	IEC cable assembly with locking system + for IEC C14 inlet, JP version
IL 13 P-SE-H05-3100-200	IEC cable assembly with locking system + for IEC C14 inlet, stripped ends
IL 13 P-UK1-H05-3100-200	IEC cable assembly with locking system + for IEC C14 inlet, UK version
IL 13 P-US1-SJT-3160-Y*	IEC cable assembly with locking system + for IEC C14 inlet, US version

To compile a complete part number, please replace the x* or y* with the required length:

- X* options = 200, 300, 400
- Y* options = 6, 9 and 12 feet

Product selector IL 13 P	
IL13P-yyy-zzz-aaaa-bbb:	
Cable length:	183–6 feet (183 cm) (only for US versions) 200–200 cm 275–9 feet (275 cm) (only for US versions) 300–300 cm 366–12 feet (366 cm) (only for US versions) 400–400 cm 500–500 cm 10000–1000 cm Others: on request
Cable core:	3100 – 3 × 1.00 mm ² (US: AWG 18) 3125 – 3 × 1.25 mm ² (only for Japanese version) 3130 – 3 × 16 awg (for US version) 3150 – 3 × 1.5 mm ² 3160 – 3 × 14 awg (for US version) Others: on request
Cable type:	H05–H05VV-F HVCTF SJT SVT Others: on request
Line side plug:	C14 – IEC C14, male, straight CH1 – SEV1011, straight EU1 – CEE 7/VII, right angled JP1 – JIS8303, straight SE – with stripped ends UK1 – BS1363, right angled fused 5A for IL13 US1 – NEMA5-15, straight US2 – NEMA5-15, straight, hospital grade according to UL817 Others: on request
Load side IL13P:	IEC C13 Plus female plug, straight, lock

Mechanical data



Please visit www.schaffner.com to find more details on filter connectors.



Headquarters, global innovation and development

Switzerland

Schaffner Group

Nordstrasse 11
4542 Luterbach
T +41 32 681 66 26
F +41 32 681 66 30
info@schaffner.com
www.schaffner.com



Sales and application centers

China

Schaffner EMC Ltd. Shanghai

T20-3, No 565 Chuangye Road
Pudong New Area
201201 Shanghai
T +86 21 3813 9500
F +86 21 3813 9501 / 02
cschina@schaffner.com
www.schaffner.com.cn

Finland

Schaffner Oy

Sauvonrinne 19 H
08500 Lohja
T +358 19 35 72 71
finlandsales@schaffner.com

France

Schaffner EMC S.A.S.

112 Quai de Bezons
Boîte postale 133
95100 Argenteuil
T +33 1 34 34 30 60
F +33 1 39 47 02 28
francesales@schaffner.com

Germany

Schaffner Deutschland GmbH

Schoemperlenstrasse 12B
76185 Karlsruhe
T +49 721 56910
F +49 721 569110
germanysales@schaffner.com

India

Schaffner India Pvt. Ltd

Unit 59, Level, Mfar Greenheart 7
Manyata Tech Park, Hebbal Outer Ring Road
560045 Bangalore
T +91 80 6781 9805
F +91 80 6781 9998
indiasales@schaffner.com

Italy

Schaffner EMC S.r.l.

Via Galileo Galilei 47
20092 Cinisello Balsamo (MI)
T +39 02 66 04 30 45 /47
F +39 02 61 23 943
italysales@schaffner.com

Japan

Schaffner EMC K.K.

1-32-12, Kamiuma, Setagaya-ku
7F Mitsui-seimei Sanganjaya Bldg.
154-0011 Tokyo
T +81 3 5712 3650
F +81 3 5712 3651
japansales@schaffner.com
www.schaffner.jp

Singapore

Schaffner EMC Pte Ltd.

Blk 3015A Ubi Road 1
408705 Singapore
T +65 6377 3283
F +65 6377 3281
singaporesales@schaffner.com

Spain

Schaffner EMC España

Calle Caléndula 93, Miniparc III, Edificio E
El Soto de Moraleja, Alcobendas
28109 Madrid
T +34 917 912 900
F +34 917 912 901
spainsales@schaffner.com

Sweden

Schaffner EMC AB

Turebergstorg 1, 6
19147 Sollentuna
T +46 8 5792 1121 / 22
F +46 8 92 96 90
swedensales@schaffner.com

Switzerland

Schaffner EMV AG

Nordstrasse 11
4542 Luterbach
T +41 32 681 66 26
switzerlandsales@schaffner.com

Taiwan R.O.C.

Schaffner EMV Ltd.

6 Floor, No. 413, Rui Guang Road
114 Neihu District Taipei City
T +886 2 87525050
F +886 2 87518086
taiwansales@schaffner.com
www.schaffner.tw

Thailand

Schaffner EMC Co. Ltd.

Northern Region Industrial Estate
67 Moo 4 Tambon Ban Klang
Amphur Muangng P.O. Box 14
51000 Lamphun
T +66 53 58 11 04
F +66 53 58 10 19
thailandsales@schaffner.com

UK

Schaffner Ltd.

5 Ashville Way, Molly Millars Lane
Wokingham
RG41 2PL Berkshire
T +44 118 9770070
F +44 118 9792969
uksales@schaffner.com

USA

Schaffner EMC Inc.

52 Mayfield Avenue
08837 Edison, New Jersey
T +1 800 367 5566
T +1 732 225 9533
F +1 732 225 4789
usasales@schaffner.com
www.schaffnerusa.com

Schaffner North America

6722 Thirlane Road
24019 Roanoke, Virginia
T +1 276 228 7943
F +1 276 228 7953

Schaffner North America

823 Fairview Road
24382 Wytheville, Virginia
T +1 276 228 7943
F +1 276 228 7258

To find your local partner within Schaffner's global network: www.schaffner.com

© 2016 Schaffner Group

The content of this document has been carefully checked and understood. However, neither Schaffner nor its subsidiaries assume any liability whatsoever for any errors or inaccuracies of this document and the consequences thereof. Published specifications are subject to change without notice. Product suitability for any area of application must ultimately be determined by the customer. In all cases, products must never be operated outside their published specifications. Schaffner does not guarantee the availability of all published products. This disclaimer shall be governed by substantive Swiss law and resulting disputes shall be settled by the courts at the place of business of Schaffner Holding AG. Latest publications and a complete disclaimer can be downloaded from the Schaffner website. All trademarks recognized.