



Cord retaining strain relief



4700.00XX



0888.0019 / 0888.0020 / 0888.0021



Description

- Front Panel:
Screw-on from front side
- 1 Function:
Protection against accidental disconnection of the plug

Weblinks

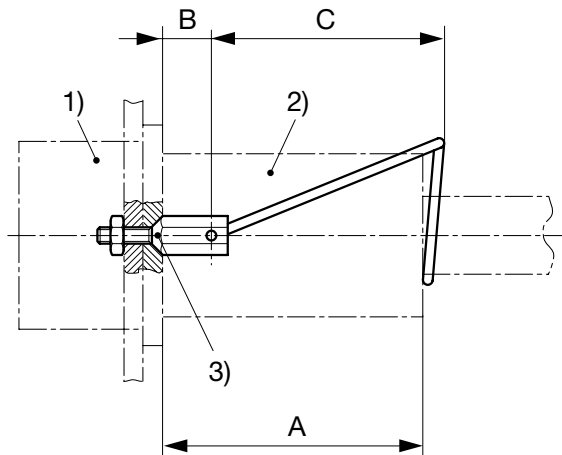
[pdf-datasheet](#), [html-datasheet](#), [General Product Information](#), [Approvals](#), [CE declaration of conformity](#), [RoHS](#), [CHINA-RoHS](#), [REACH](#), [Mating Connectors](#), [e-Shop](#), [SCHURTER-Stock-Check](#), [Distributor-Stock-Check](#), [CAD-Drawings](#), [Accessories](#), [Detailed request for product](#)

For protection against loosening or accidental disconnection of the plug connector. Can also be mounted later. The correct kit type respectively the corresponding Order No. for each combination of fixed and free components is shown in the selection chart. Horizontal flanged components are secured to the panel using the kit supplied. Vertical flanged or snap-in components require additional drilling for the cord retaining kit as shown in the diagrams below.

The kits with the part number 4700.00XX consist of:

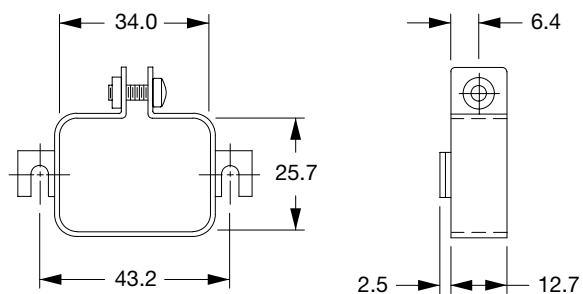
- 1 Stainless steel retaining clip
- 2 Nickel plated brass pillars
- 2 Nickel plated brass nuts
- 2 Nickel plated beryllium copper crinkle washers

Dimensions

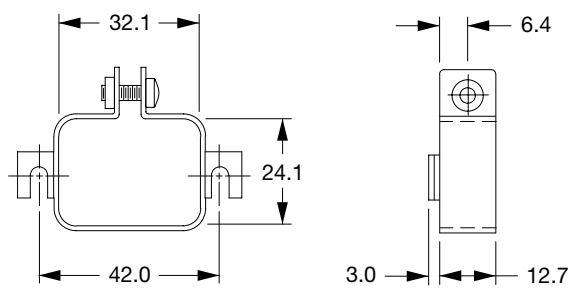


(Details see overview table and table of variants)

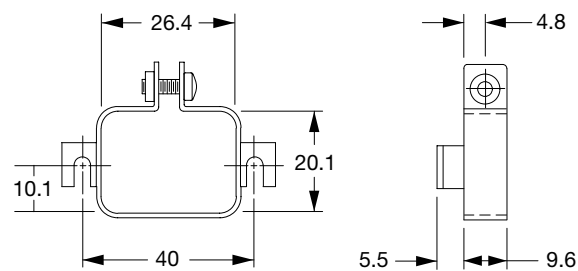
- 1) Inlet/Outlet 2) Plug/Connector 3) Design



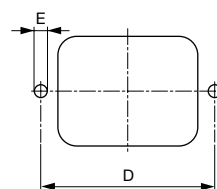
0888.0019



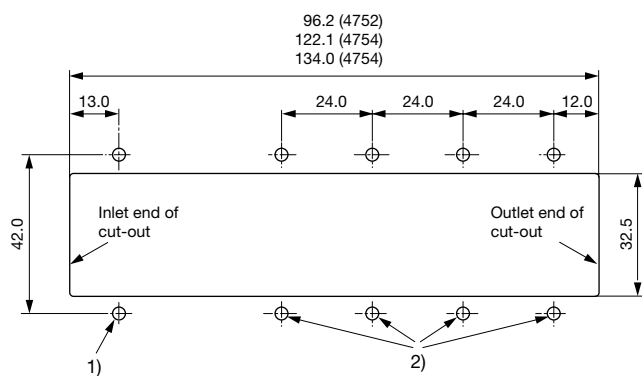
0888.0020



0888.0021



(Details see overview table and table of variants)
Holes according inlet/outlet dimensions centered to respectively inlet/outlet



(Details see overview table)

- 1) Additional drilling for Kit H, when used with 4754 and 4758
- 2) Additional drilling for Kit E, when used with 4752, 4754 and 4758

							Cord plug/connector						
							Type	4781	4782	4795	4732	4735	4796
							Dimension A	61.6	61.5	57.0	55.5	60.0	58.0
							Plug				•	•	•
							Connector	•	•	•			
Appliance inlet/outlet													
Type	Snap-in Mounting	Screw-on Mounting	Mounting from Frontside	Mounting from Rearside	Outlet	Inlet	Panel Thickness						
EC11		•	•			•				M			
EC12		•		•		•				M			
EF11		•		•		•				M			
EF12		•		•		•				M			
Felcom 54	•		•		•			A	A				
Felcom 54	•		•		•					E			
Felcom 54	•		•			•					G		
Felcom 64	•		•		•			A	A				
Felcom 64	•		•		•					E			
Felcom 64	•		•			•					G		
KD	•	•	•			•		A	A				
KE	•	•	•			•		A	A				
KEA	•	•	•			•		A	A				
KEA		•	•			•		B	B				
KEB1	•		•			•		A	A				
KEB1		•	•			•		B	B				
KEB2	•	•	•			•		A	A				
KEC	•	•	•			•		A	A				
KFA	•		•			•		A	A				
KFA		•	•			•		B	B				
KFA		•	•	•		•		A	A				
KFB1		•	•			•		B	B				
KFB2	•	•	•			•		A	A				
KFC	•	•	•			•		A	A				
KFS		•	•			•		C	C				
KFX		•	•			•		C	C				
KG		•	•			•		A	A				
KM	•		•			•		A	A				

All Variants

Kit	Type	B	C	D	E	Order Number
-	-	mm	mm	mm	mm	0888.0001
-	-	mm	mm	mm	mm	0888.0004
-	-	mm	mm	mm	mm	0888.0005
-	-	mm	mm	mm	mm	0888.0015
-	-	mm	mm	mm	mm	0888.0016
-	-	mm	mm	mm	mm	0888.0017
-	-	mm	mm	mm	mm	4700.0013
-	-	mm	mm	mm	mm	4700.0014
-	-	mm	mm	mm	mm	4700.0015
-	-	mm	mm	mm	mm	4700.0016
A	Flat head	8 mm		36 mm	3.4 mm	4700.0001
B	Countersunk	9.5 mm		36 mm	3.4 mm	4700.0002
C	Countersunk	8 mm		40 mm	3.4 mm	4700.0003
D	Countersunk	4 mm	40 mm	40 mm	3.4 mm	4700.0004
E	Flat head	4.5 mm	40 mm	40 mm	3.4 mm	4700.0005
F	Countersunk	4 mm		40 mm	3.4 mm	4700.0006
G	Flat head	4.5 mm		40 mm	3.4 mm	4700.0007
H	Flat head	5.5 mm		40 mm	3.4 mm	4700.0008
J	Countersunk	8 mm		45 mm	3.4 mm	4700.0009
K	Countersunk	6.6 mm		42 mm	3.4 mm	4700.0010
L	Flat head	5.5 mm			3.4 mm	4700.0011
M	Flat head	5.5 mm	40 mm		3.4 mm	4700.0012
X	Flat head	-	-		-	0888.0019
Y	Flat head	-	-	42 mm	-	0888.0020
Z	Flat head	-	-	40 mm	-	0888.0021

Most Popular.

Kit	Type	B	C	D	E	Order Number
-----	------	---	---	---	---	--------------

Availability for all products can be searched real-time:<http://www.schurter.com/en/Stock-Check/Stock-Check-SCHURTER>

Packaging unit 50 Pcs
