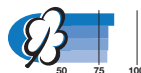
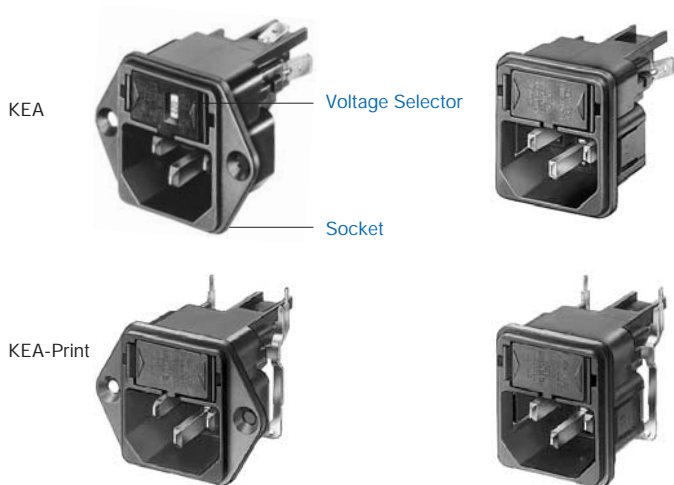


**Power entry modules Types KEA
KEA-Print**


- Panel mount: – screw-on version, front or rear-side
– snap-in version, front-side
- 3 functions: appliance inlet, fuseholder
for fuses 5 x 20 mm, KEA with or without/KEA-Print only
without voltage selector (step switch)
- Version with line filter/shield see page 92


 Plug removal necessary
for fuse replacement

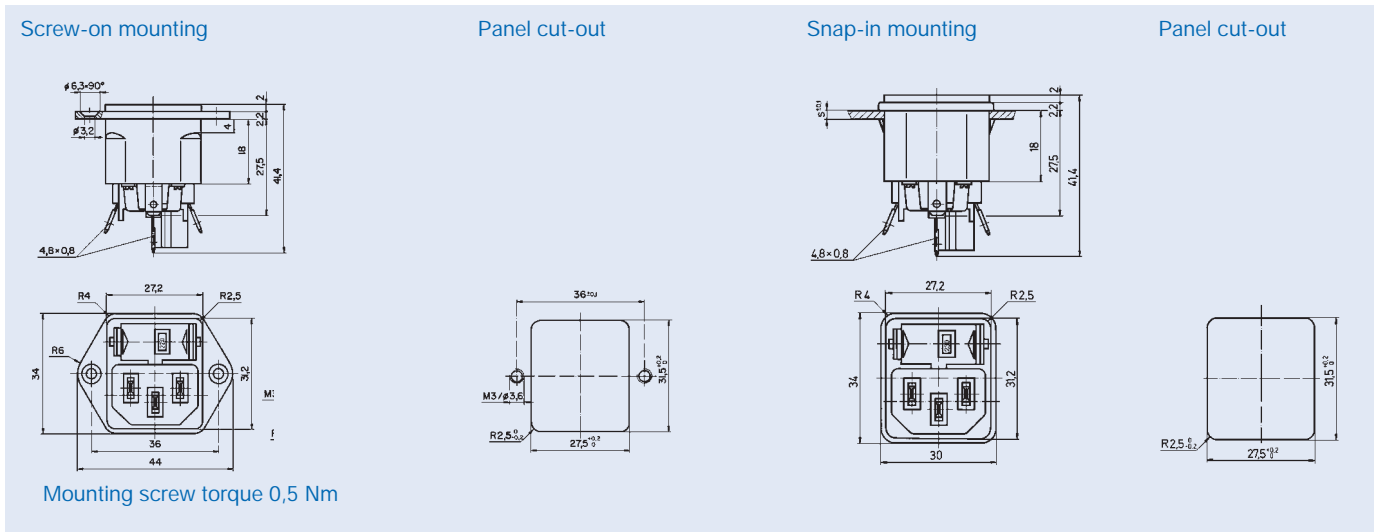
Characteristics

- KEA available with or without, KEA-Print only with internal connections
- Plug removal necessary for fuse-link replacement
- The fuse drawer "Fingergrip" can be removed by hand.
- For added safety "Extra-Safe" fuse drawers are available. Extra-safe fuse drawers satisfy international standards for medical equipment. The drawer can only be removed with the aid of a tool.
- The fuseholder is accessible from the equipment front
- Qualified for use in equipment according to IEC/EN 60950

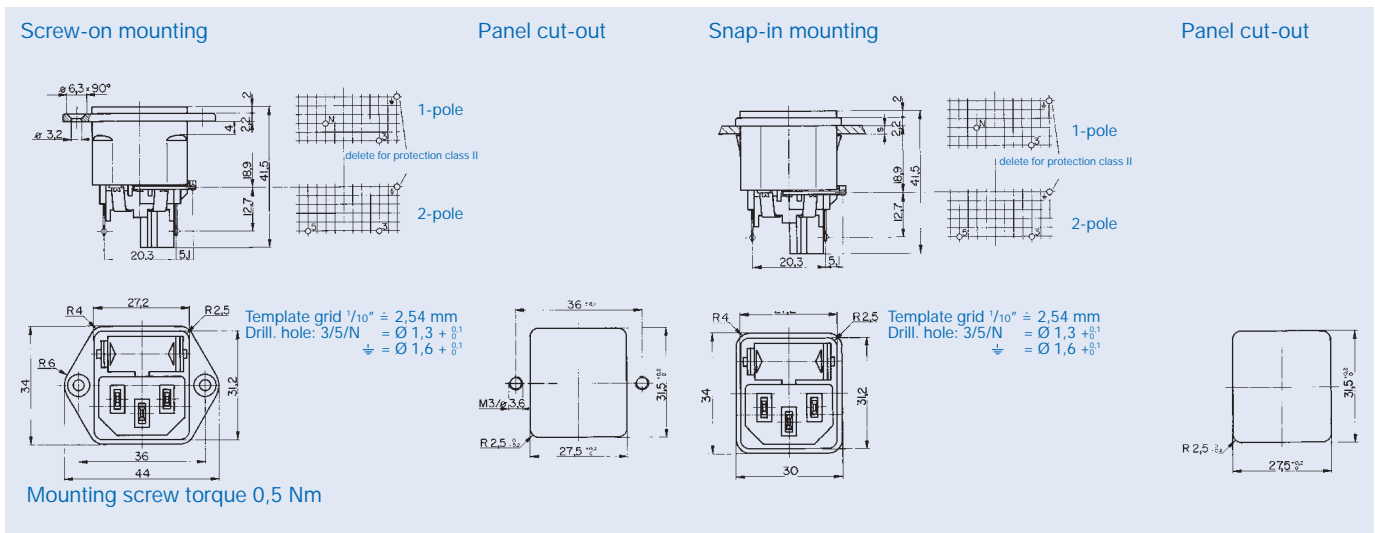
Technical data

Rated voltage	250 VAC
Rated current	10 A
Dielectric strength (50 Hz, 1 Min.)	> 3 kV between L-N > 4 kV between L/N-PE
Allowable ambient air temperatures T _a	-25 °C to +70 °C
Degree of protection (front side)	IP40 acc. to IEC 60529
Protection class	suitable for equipment with prot. cl. I, acc. to IEC 61140
Terminals	KEA quick-connect 4,8 x 0,8 mm/tin-plated KEA-Print for PCB 1,6 mm
Panel thickness s	screw-on: max. 8 mm snap-in: 1,5/2/2,5 mm
Materials: Housing	Thermoplastic, black, UL94 V-0
Appliance-inlet	 acc. to IEC/EN 60320-1/C14, Protection class I, pin-temperature 70 °C (cold condition)
Fuseholder	1- or 2-pole, shocksafe category PC2 acc. to IEC/EN 60127-6, for fuse-links 5 x 20 mm
Rated power acceptance at ambient air temp. T _a 23 °C	2 W (1-pole) 1,6 W (2-pole) per pole
Admissible power acceptance at higher T _a	see derating curves. Take note of the information page 197
Voltage selector	optional, step switch, 2-4 positions

Dimensions Type KEA



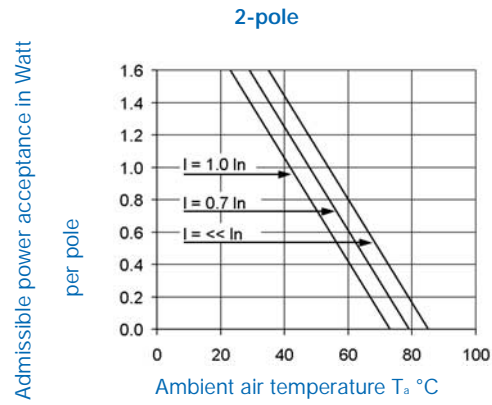
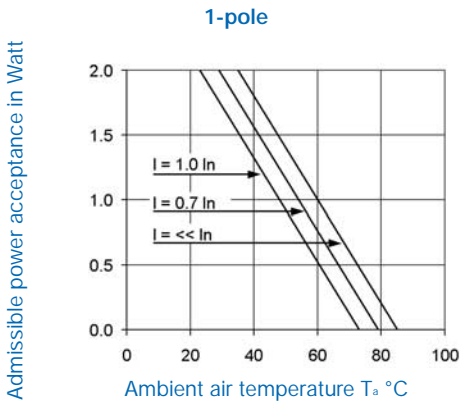
Dimensions Type KEA-Print



Diagrams

	Type KEA			Type KEA-Print	
	without internal connections voltage selector 4-positions	with internal connections voltage selector 3-positions	Voltage selector 2-positions	without voltage selector	with internal connections
1-pole					
2-pole					

Derating curves for fuseholder



Order Numbers, type KEA: socket
Fuse drawer must be ordered separately

Fuseholder		Voltage selector		internal connections		Screw	Snap-in, panel thickness s		
1-pole	2-pole	without	3 pos.	4 pos.	with	without	1,5 mm	2,0 mm	2,5 mm
4301.0521	4301.0501	•			•				
4301.0522	4301.0502	•			•		•		
4301.0523	4301.0503	•			•			•	
4301.0524	4301.0504	•			•				•
4301.0021	4301.0001		• (max.)		•	•			
4301.0022	4301.0002		• (max.)		•		•		
4301.0023	4301.0003		• (max.)		•			•	
4301.0024	4301.0004		• (max.)		•				•
4301.2061	4301.2041		•	•		•			
4301.2062	4301.2042		•	•		•	•		
4301.2063	4301.2043		•	•		•		•	
4301.2064	4301.2044		•	•		•			•

Order Numbers, type KEA-Print: socket (internal connections)
Fuse drawer must be ordered separately

Fuseholder		Screw-on	Snap-in, panel-thickness s		
1-pole	2-pole		1,5 mm	2,0 mm	2,5 mm
4301.3211	4301.3201	•			
4301.3212	4301.3202		•		
4301.3213	4301.3203			•	
4301.3214	4301.3204				•

Order Numbers fuse drawer (Fingergrip and Extra-Safe) for types KEA, KFA, KM, KMF

Voltage markings	for types	Type	1-pole + spare fuse case		2-pole with shorting bar in the neutral side	
			1-pole	2-pole		
«XX» see table 1	KEA	Fingergrip	4301.1214.XX	4301.1014.XX	4301.2814.XX	4301.3536.XX
		Extra-Safe	4301.1224.XX	4301.1024.XX	4301.2824.XX	4301.3537.XX
without voltage selector	KEA	Fingergrip	4301.1405	4301.1401	4301.1409	4301.1413
	KEA-Print	Extra-Safe	4301.1407	4301.1403	4301.1411	4301.1415

Table 1

Index	Voltage markings / terminal no			
	1	2	3	4
01	110	150	220	-
02	120	-	240	-
03	110	-	220	-
04	115	-	220	-
05	110	-	230	-
06	115	-	230	-
07	100	110	220	240
08	100	120	220	240
09	110	-	117	-
10	220	-	240	-
11	120	220	240	-
12	110	220	240	-

Index	Voltage markings / terminal no			
	1	2	3	4
XX				
13	115	220	240	-
14	-	-	-	-
15	100	120	220	-
16	50 Hz	-	60 Hz	-
17	220	-	110	-
18	110	240	220	-
19	117	220	240	-
20	100	110	127	230
21	110	120	220	-
22	110	220	230	-
23	100	115	220	240
24	115	230	240	-

Other versions on request:

- for protection class II
- KEA with solder terminals
- Fuse drawer with other voltage values

Accessories see page 171