

IEC Appliance Connector C14 with Fuseholder 1- or 2-pole

Plug removal necessary for fuse replacement



KEA



KEA

**Description**

- Panel Mount:
Screw-on version from front or rear side, snap-in version from front side
- 3 Functions:
Inlet Protection class I, Fuseholder for fuse-links 5 x 20 mm 1- or 2-pole, with or without voltage selector (step switch)
- Quick connect terminals 4.8 x 0.8 mm
- Alternative: version with line filter [KFA](#)

Characteristics

- Available with or without internal connections
- Plug removal necessary for fuse-link replacement
The fuse drawer "Fingergrip" can be removed by hand
For added safety "Extra-Safe" fuse drawers are available
Fuse drawer meets requirements of medical standard IEC/EN 60601-1
The fuseholder is accessible from the equipment front
- Qualified for use in equipment according IEC/EN 60950

Other versions on request

- With solder terminals
- Fuse drawer with other voltage values
- For protection class II

Weblinks

[Approvals](#), [RoHS](#), [CHINA-RoHS](#), [e-Store](#), [SCHURTER-Stock-Check](#), [Distributor-Stock-Check](#)

Technical Data

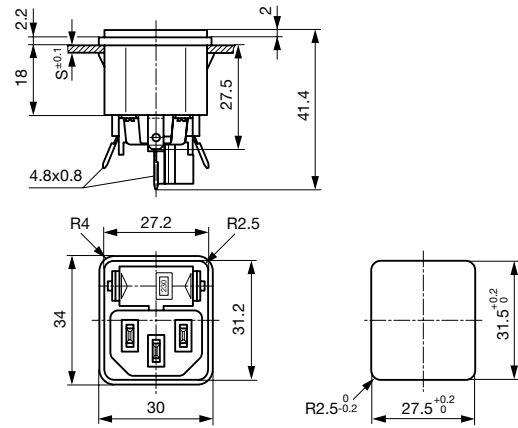
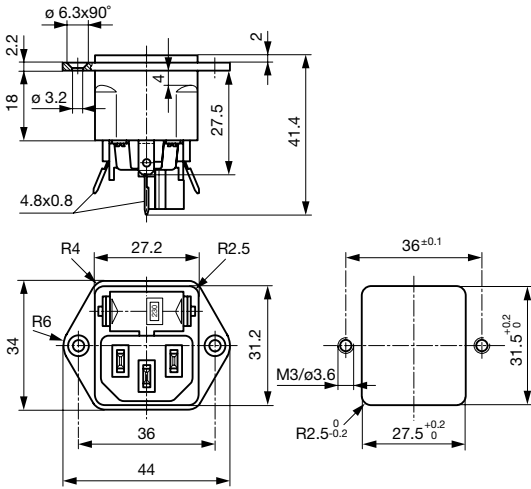
Ratings IEC	10A / 250VAC; Hz 50	Appliance-Inlet /-Outlet	C14 acc. to IEC/EN 60320-1, UL 498, CSA C22.2 no. 42 (for cold condition) pin-temperature 70 °C, 10A, Protection class I
Ratings UL/CSA	10A / 250VAC; 60Hz	Fuseholder	1 or 2 pole, Shocksafe category PC2 acc. to IEC 60127-6, for fuse-links 5 x 20mm
Dielectric Strength	> 3 kVAC between L-N > 4 kVAC between L/N-PE (1 min/50Hz)	Rated Power Acceptance @ Ta 23 °C	5 x 20: 2W (1 pole)/ 1.6W (2-pole) per pole
Allowable Operation Temp.	-25 °C to 70 °C	Power Acceptance @ Ta > 23 °C	Admissible power acceptance at higher ambient temperature see derating curves
Degree of Protection	from front side IP 40 acc. to IEC 60529	Voltage selector	optional, step, 2-4 digits
Protection Class	Suitable for appliances with protection class I acc. to IEC 61140		
Terminal	Quick connect terminals 4.8 x 0.8 mm		
Panel Thickness s	Screw-on: max 8 mm Mounting screw torque max 0.5 Nm Snap-in: 1.5/2/2.5 mm		
Material: Housing	Thermoplastic, black, UL 94V-0		

Dimensions

Screw-on mounting type KEA

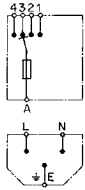
Length |-----| 44 mm

Snap-in mounting type KEA

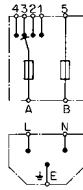


Diagrams

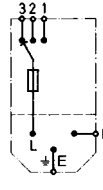
without internal connections
voltage selector
4-positions
1-pole



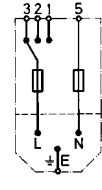
without internal connections
voltage selector
4-positions
2-pole



with internal connections
voltage selector
3-positions
1-pole



with internal connections
voltage selector
3-positions
2-pole



voltage selector
2-positions
1-pole



voltage selector
2-positions
2-pole



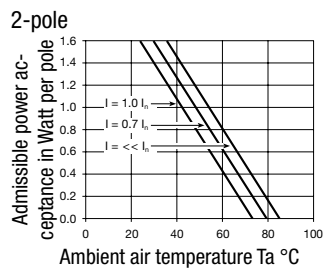
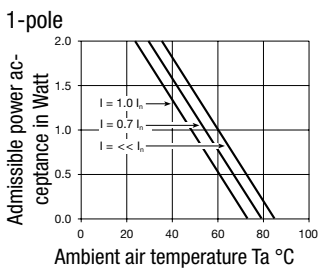
without voltage selector
1-pole



without voltage selector
2-pole



Derating Curves for Fuseholders



[Distributor-Stock-Check](#) | [SCHURTER-Stock-Check](#) | [e-Store](#)

Variants

Distributor-Stock-Check | SCHURTER-Stock-Check | e-Store

Fingergrip and Extra-Safe

Fuse drawer must be ordered separately

Type	Panel mounting	Panel Thickness s [mm]	Fuseholder	Voltage selector	internally wired	Order Number
KEA	Snap-in	1.5	1 pole	without	●	4301.0522
KEA	Snap-in	2	1 pole	without	●	4301.0523
KEA	Snap-in	2.5	1 pole	without	●	4301.0524
KEA	Snap-in	1.5	1 pole	3 digits	●	4301.0022
KEA	Snap-in	2	1 pole	3 digits	●	4301.0023
KEA	Snap-in	2.5	1 pole	3 digits	●	4301.0024
KEA	Snap-in	1.5	1 pole	3/4 digits		4301.2062
KEA	Snap-in	2	1 pole	3/4 digits		4301.2063
KEA	Snap-in	2.5	1 pole	3/4 digits		4301.2064
KEA	Snap-in	1.5	2-pole	without	●	4301.0502
KEA	Snap-in	2	2-pole	without	●	4301.0503
KEA	Snap-in	2.5	2-pole	without	●	4301.0504
KEA	Snap-in	1.5	2-pole	3 digits	●	4301.0002
KEA	Snap-in	2	2-pole	3 digits	●	4301.0003
KEA	Snap-in	2.5	2-pole	3 digits	●	4301.0004
KEA	Snap-in	1.5	2-pole	3/4 digits		4301.2042
KEA	Snap-in	2	2-pole	3/4 digits		4301.2043
KEA	Snap-in	2.5	2-pole	3/4 digits		4301.2044
KEA	Screw-on	-	1 pole	without	●	4301.0521
KEA	Screw-on	-	1 pole	3 digits	●	4301.0021
KEA	Screw-on	-	1 pole	3/4 digits		4301.2061
KEA	Screw-on	-	2-pole	without	●	4301.0501
KEA	Screw-on	-	2-pole	3 digits	●	4301.0001
KEA	Screw-on	-	2-pole	3/4 digits		4301.2041

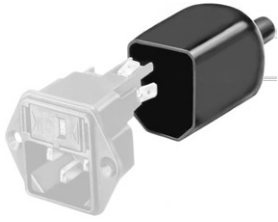
Packaging unit 50 Pcs**Required Accessory**

Description

**Fusedrawer 2**

Fusedrawer with and without voltage selector insert

Accessory



Assorted Covers
Rear Cover



Cord retaining kits
Cord retaining strain relieve