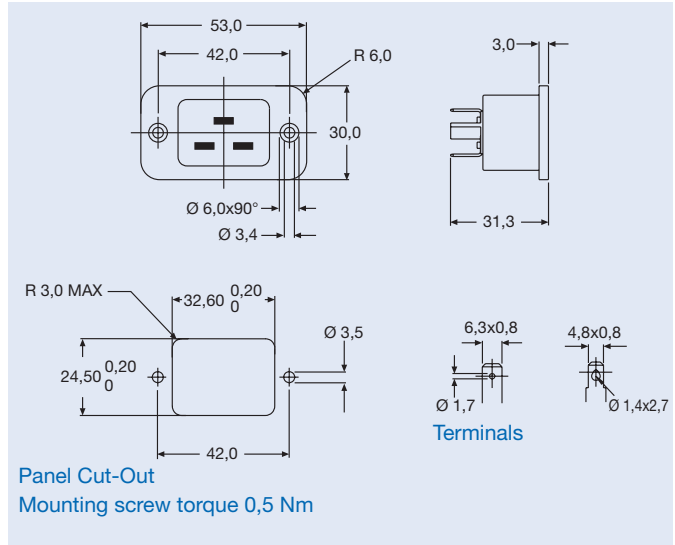
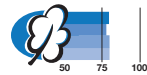


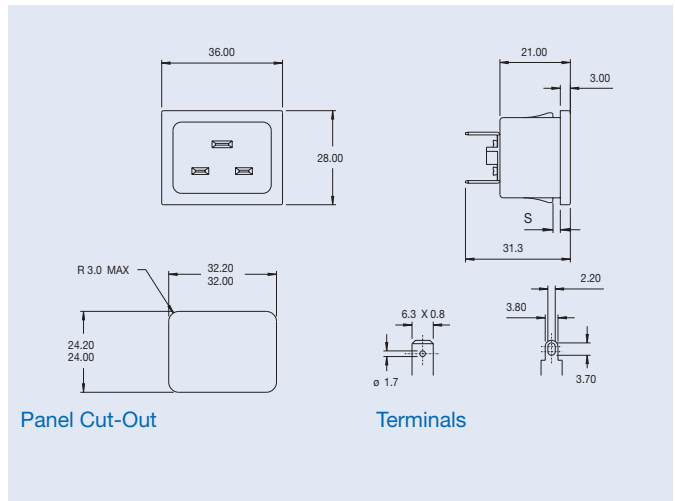
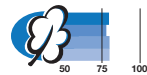
High current appliance inlet Type 4798

Screw-on mounting from front
Solder or quick-connect terminals
Pin temperature 70 °C
Protection class I



High current appliance inlet Type 4793

Snap-in mounting from front
Solder or quick-connect terminals
Pin temperature 70 °C
Protection class I



Details Types 4798, 4793

Technical data

- Rated current/voltage: 16 A/250 VAC
- Insulation resistance: > 10 MΩ (500 VDC, 1 Min.)
- Dielectric strength: 2 kV (50 Hz, 1 Min.), to accessible surfaces
- Material: Socket: Thermoplastic UL 94 V-0 black

Standards

IEC/EN 60320-1/C20
UL 498, CSA 22,2

Approvals: Inlet Type 4798

- VDE (16 A / 250 VAC)
- UL (20 A / 250 VAC)
- CSA (22 A / 250 VAC)

Approvals: Inlet Type 4793

- VDE (16 A / 250 VAC)
- UL/CSA (20 A / 250 VAC)

Order Numbers

Screw-on mounting		Snap-in mounting						Terminals	
Type	4798	Type	4793						
		Panel thickness s							
		1,0 mm	1,2 mm	1,5 mm	2,0 mm	2,5 mm	3,0 mm		
4798.9000		4793.3000	4793.8000	4793.4000	4793.5000	4793.6000	4793.7000	Quick-connect terminals 6,3 x 0,8 mm	
4798.9200		4793.3200	4793.8200	4793.4200	4793.5200	4793.6200	4793.7200	Solder terminals	

Accessories see page 171