

Daten & Signal, Socket, 6.3 mm, 2-pole, solder terminal, insulated



Description

- Solder terminal:
Screw-on mounting, from rear-side
- Data and Signal transfer
- Data and Signal Connectors 2-pole, insulated, straight
- Reinforced gold plating for increased insertions

References

Alternative: Housing shielded [4803.2200](#)
Last order date: 30.06.2016

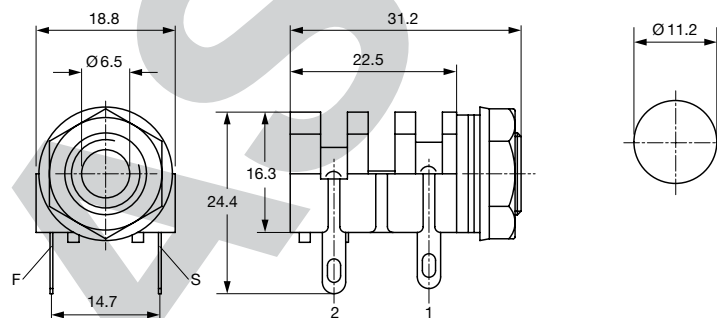
Weblinks

[pdf-datasheet](#), [html-datasheet](#), [General Product Information](#), [RoHS](#), [CHINA-RoHS](#), [REACH](#), [Mating Connectors](#), [e-Shop](#), [SCHURTER-Stock-Check](#), [Distributor-Stock-Check](#)

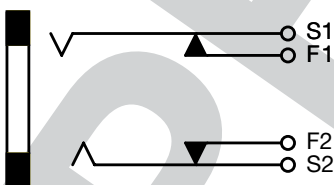
Technical Data

Diameter	6.3 mm	Allowable Operation Temp.	-20 °C to 70 °C
Number of Poles	2-pole	Terminal	solder terminal
Ratings DC	2A / 12VDC	Mounting	Screw-on mounting wall thickness max. 4.0mm
Ratings AC	2A / 12VAC	Housing	insulated
Dielectric Strength	1000VDC	Style	straight
Insulation Resistance	> 10000 MΩ @ 500VDC	Lifetime	10000 Insertions

Dimensions



Diagrams



All Variants

Product group	Diameter [mm]	Number of Poles	Terminal	Order Number
Data and Signal Plug/ Sockets	6.3	2-pole	solder terminal	4803.2210

■ Most Popular.

Availability for all products can be searched real-time:<http://www.schurter.com/Stock-Check/Stock-Check-SCHURTER>**Packaging unit** 100 Pcs

PHASE-OUT