

Audio Connector, Plug, 2.5 mm, 2-pole, solder terminal, insulated, angled



### Description

- Solder terminal:  
for cable mounting
- Audio entrances and exits
- Data and Signal transfer
- Audio Plug: 2-pole, insulated, angled

### References

Alternative: Housing shielded [4831.1200](#)

### Weblinks

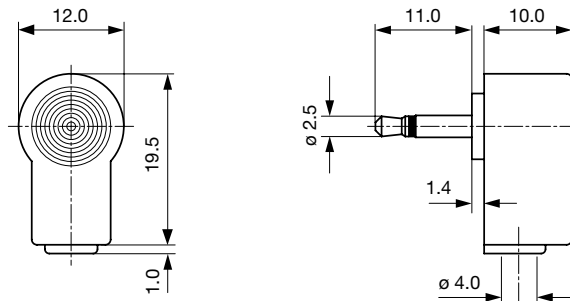
[pdf-datasheet](#), [html-datasheet](#), [General Product Information](#), [RoHS](#), [CHINA-RoHS](#), [REACH](#), [Mating Connectors](#), [e-Shop](#), [SCHURTER-Stock-Check](#), [Distributor-Stock-Check](#)

### Technical Data

Diameter	2.5 mm
Number of Poles	2-pole
Ratings DC	0.5 A / 30 VDC
Ratings AC	0.5 A / 30 VAC
Dielectric Strength	500 VDC
Insulation Resistance	> 100 MΩ @ 500 VDC

Allowable Operation Temp.	-20 °C to 70 °C
Terminal	solder terminal nickel-plated
Housing	insulated
Style	angled
Lifetime	5000 Insertions

### Dimensions



Cable diameter max. 4.0 mm

### All Variants

Product group	Diameter [mm]	Number of Poles	Terminal	Order Number
Audio Plug/Sockets	2.5	2-pole	solder terminal	<a href="#">4831.1220</a>

Availability for all products can be searched real-time: <http://www.schurter.com/en/Stock-Check/Stock-Check-SCHURTER>

**Packaging unit** 100 Pcs

## Mating Outlets/Connectors

## Category / Description

[Audio Plug/Sockets Overview complete](#)

4831, solder terminal, screened, 2-pole, Audio Plug/Sockets, 2.5 mm	4831.2200
4831, PCB terminals, screened, 2-pole, Audio Plug/Sockets, 2.5 mm	4831.2220
4831, PCB terminals, insulated, 2-pole, Audio Plug/Sockets, 2.5 mm	4831.2230
4831, solder terminal, insulated, 2-pole, Audio Plug/Sockets, 2.5 mm	4831.3200

[Audio Plug/Sockets further types to 4831 Audio-Stecker, D=2,5mm](#)