

Audio Connector, Plug, Inline Socket, 2.5 mm, 2-pole, solder terminal



Description

- Solder terminal: for cable mounting
- Audio entrances and exits
- Data and Signal transfer
- Audio Plug: 2-pole, insulated, straight

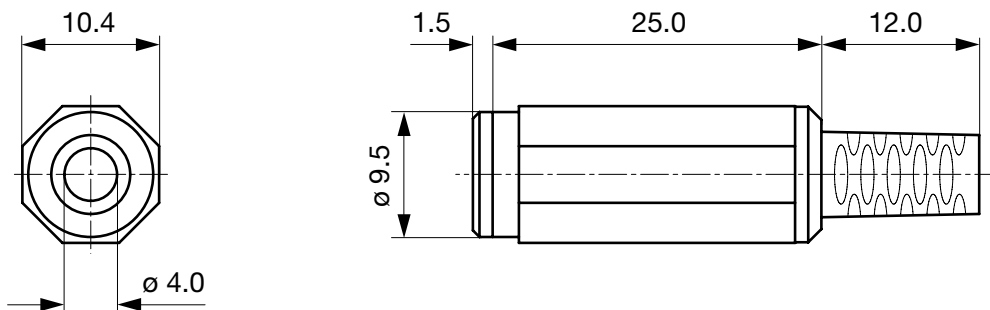
Weblinks

[pdf-datasheet](#), [html-datasheet](#), [General Product Information](#), [RoHS](#), [CHINA-RoHS](#), [REACH](#), [Mating Connectors](#), [e-Shop](#), [SCHURTER-Stock-Check](#), [Distributor-Stock-Check](#)

Technical Data

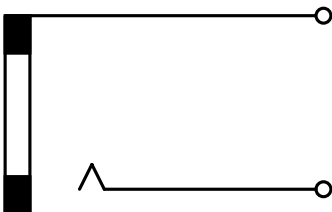
Diameter	2.5 mm	Allowable Operation Temp.	-20 °C to 70 °C
Number of Poles	2-pole	Terminal	solder terminal nickel-plated
Ratings DC	0.5 A / 30VDC	Housing	insulated
Ratings AC	0.5 A / 30VAC	Style	straight
Dielectric Strength	500VDC	Lifetime	5000Insertions
Insulation Resistance	> 100 MΩ @ 500VDC		

Dimensions



Cable diameter max. 4.0 mm

Diagrams



All Variants

Product group	Diameter [mm]	Number of Poles	Terminal	Order Number
Audio Plug/Sockets	2.5	2-pole	solder terminal	4831.3200

Most Popular.

Availability for all products can be searched real-time: <http://www.schurter.com/en/Stock-Check/Stock-Check-SCHURTER>

Packaging unit 100 Pcs

Mating Inlets/Plugs

Category / Description

[Audio Plug/Sockets Overview complete](#)



4831, solder terminal, screened, 2-pole, Audio Plug/Sockets, 2.5 mm	4831.1200
4831, solder terminal, insulated, 2-pole, Audio Plug/Sockets, 2.5 mm	4831.1210
4831, solder terminal, insulated, 2-pole, Audio Plug/Sockets, 2.5 mm	4831.1220

[Audio Plug/Sockets further types to 4831 Audio-Stecker, D=2,5mm](#)