

Audio Connector, Socket, 3.5 mm, 3-pole, solder terminals for PCB, shielded



Description

- PCB Mounting:
 - Screw-on mounting, from rear-side
- Audio entrances and exits
- Data and Signal transfer
- Audio Plug: 3-pole, shielded, straight

References

Alternative: Housing insulated [4832.2330](#)

Weblinks

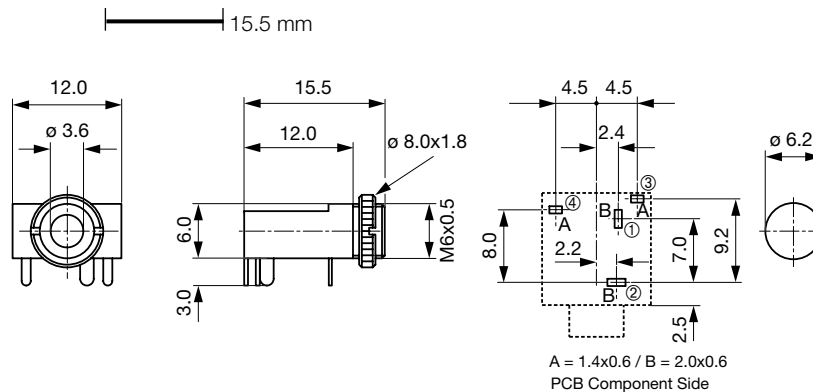
[pdf-datasheet](#), [html-datasheet](#), [General Product Information](#), [Approvals](#), [RoHS](#), [CHINA-RoHS](#), [Mating Connectors](#), [e-Shop](#), [SCHURTER-Stock-Check](#), [Distributor-Stock-Check](#)

Technical Data

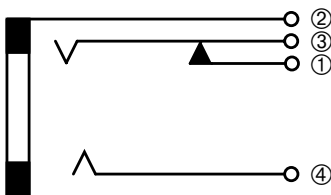
Diameter	3.5 mm
Number of Poles	3-pole
Ratings DC	0.5 A / 30VDC
Ratings AC	0.5 A / 30VAC
Dielectric Strength	500VDC
Insulation Resistance	> 100 MΩ @ 500VDC

Allowable Operation Temp.	-20 °C to 70 °C
Terminal	PCB solder terminals silver plated
Mounting	Screw-on mounting wall thickness max. 1.7 mm
Housing	screened
Style	straight
Lifetime	5000 Insertions

Dimensions



Diagrams



Variants

Product group	Diameter [mm]	Number of Poles	Terminal	Order Number
Audio Plug/Sockets	3.5	3-pole	PCB solder terminals	4832.2320

Packaging unit 500 Pcs

Mating Inlets/Plugs

Category / Description

[Audio Plug/Sockets Overview complete](#)



Audio Connector, Plug, 3.5 mm, 3-pole, solder terminal, shielded	4832.1300
Audio Connector, Plug, 3.5 mm, 3-pole, solder terminal, insulated	4832.1310
Audio Connector, Plug, 3.5 mm, 3-pole, solder terminal, insulated, angled	4832.1320

[Audio Plug/Sockets further types to 4832 Audio-Stecker, D=3,5mm](#)
