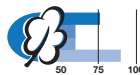
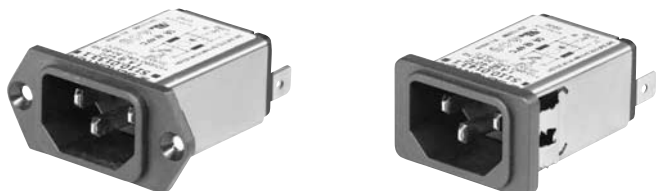


Line filter with inlet, Type 5110


- Panel mount: – screw-on version, front-side
– snap-in version, front-side
- Appliance inlet and line filter


Characteristics

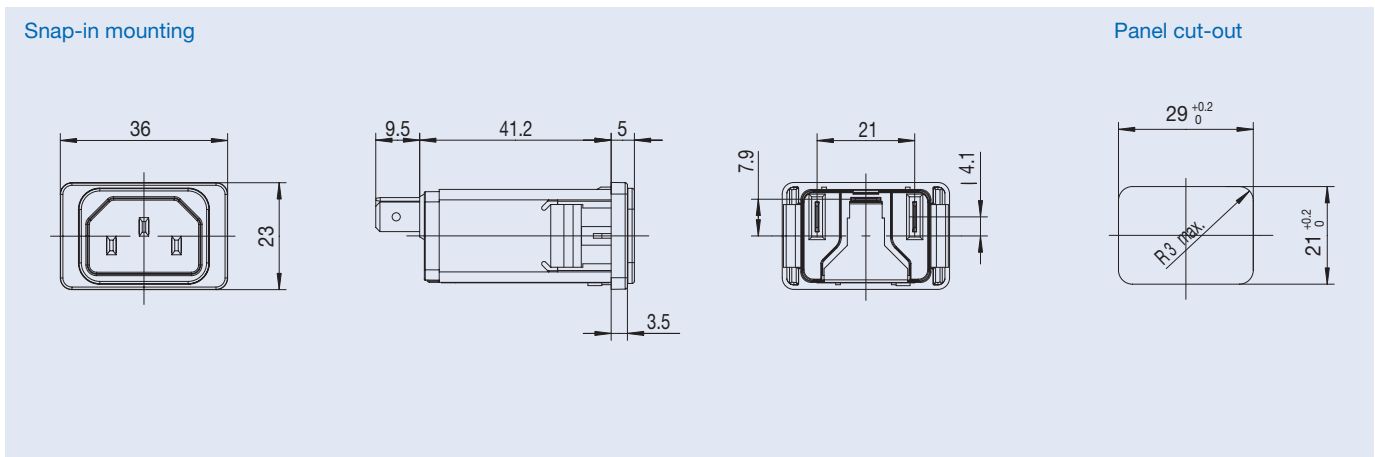
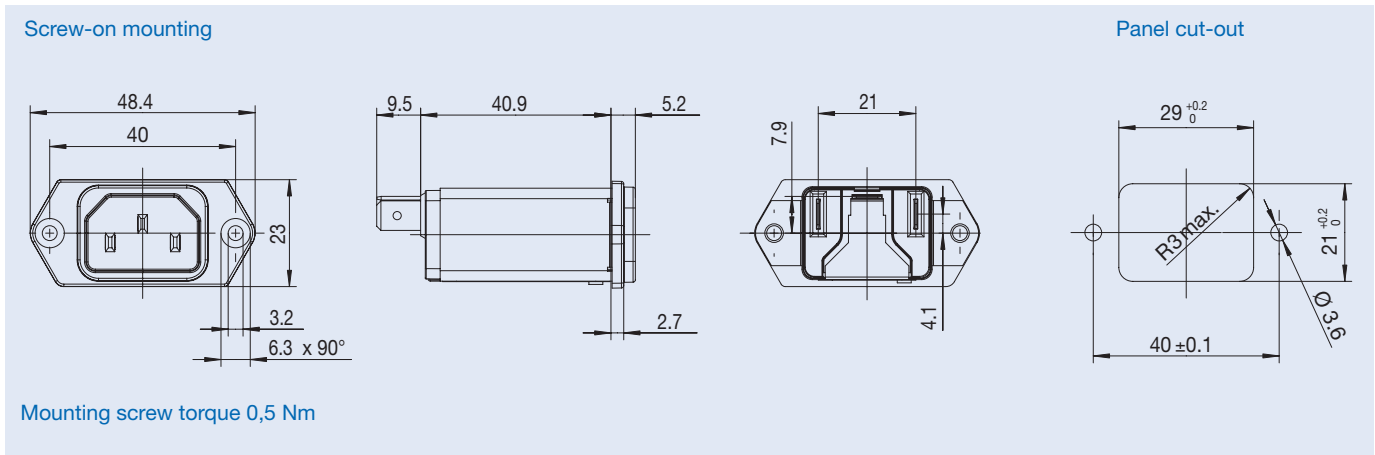
- Ultra-compact design. Small dimensions
- Qualified for use in equipment according to IEC/EN 60950

Technical data

Rated voltage	125/250 VAC; 50/60 Hz
Rated currents	1–10 A @T _a 40 °C; SEV, VDE, Semko 1–15 A @T _a 40 °C; UL, CSA
Leakage current, Standard	< 0,5 mA (250 V/60 Hz)
Medical	< 5 µA (250 V/60 Hz)
Test voltage (2 sec)	1,7 kVDC between L-N 2,7 kVDC between L/N-PE
Allowable ambient air temperatures T _a	–25 °C to +85 °C
Climatic category	25/085/21 acc. to IEC/EN 60068-1
Degree of protection (front-side)	IP40 acc. to IEC 60529
Protection class	suitable for equipment with prot. cl. I, acc. to IEC 61140
Terminals	Quick-connect 6,3 x 0,8 mm
Panel thickness s	screw-on: max. 5 mm snap-in: max. 0,8–3 mm
Materials: Housing	Thermoplastic, black, UL94 V-0

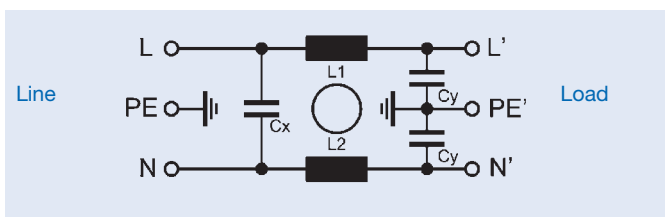
Appliance-inlet		acc. to IEC/EN 60320-1/C14, Protection class I, pin-temperature 70 °C (cold condition)
Line filter, standard and medical		acc. to IEC 60939, EN 133 200, UL 1283, CSA C22.2 no. 8 Technical details see page 202

Dimensions

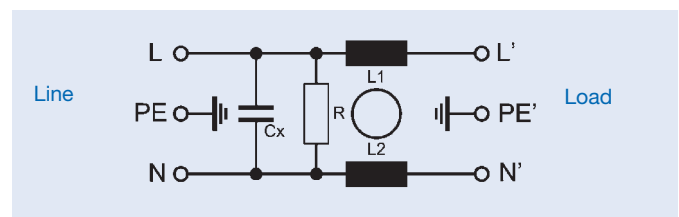


Diagrams

Standard version



Medical version



Technical data of filter-components

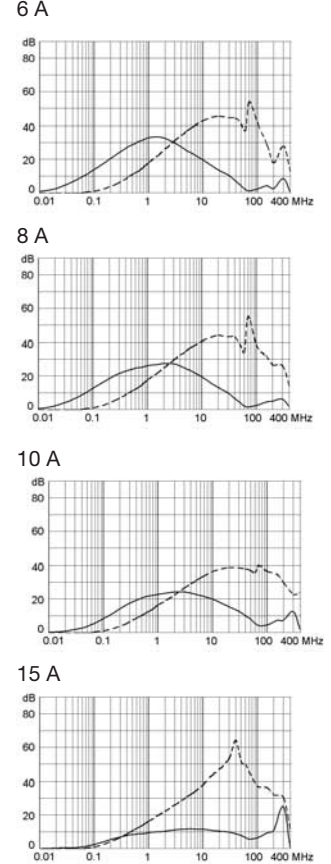
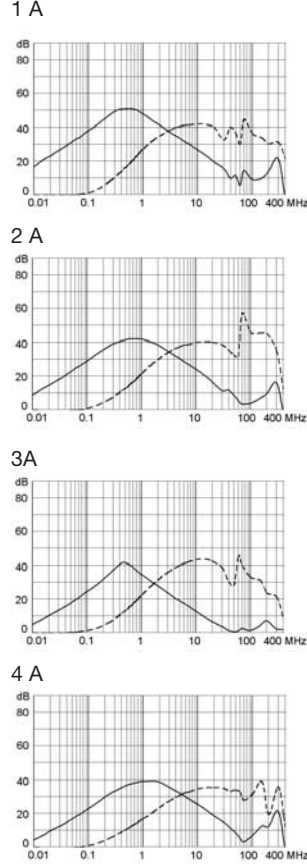
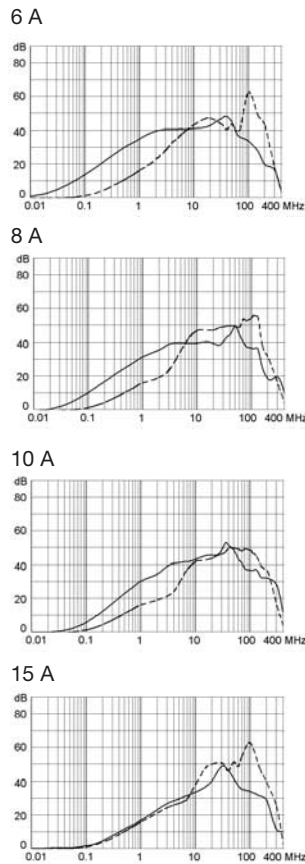
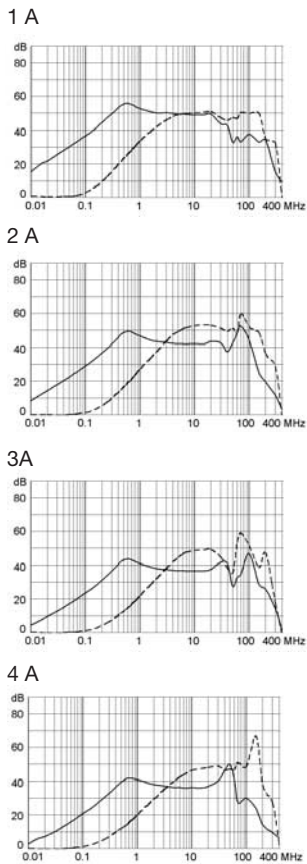
Rated current (A)	Filter-Type	Inductance L1/L2 (mH)	Capacitance		R (MΩ)
			CX (nF)	CY (nF)	
1	Standard	11	47	2 x 2,2	-
2		4			
3		2,5			
4		1,6			
6		0,7			
8		0,6			
10		0,4			
15		0,1			
1	Medical	11	47	-	1
2		4			
3		2,5			
4		1,6			
6		0,7			
8		0,6			
10		0,4			
15		0,1			

Attenuation loss

Standard version
differential mode

common mode _____

Medical version



Order Numbers

Type	Order no	Rated current	Filter-Type	Panel mount : screw	Snap-in, panel thickness
5110	5110.0133.1	1 A	Standard	•	} 0,8–3 mm
	5110.0233.1	2 A			
	5110.0333.1	3 A			
	5110.0433.1	4 A			
	5110.0633.1	6 A			
	5110.0833.1	8 A			
	5110.1033.1	10 A			
	5110.1533.1	15 A			
	5110.0143.1	1 A	Standard		
	5110.0243.1	2 A			
	5110.0343.1	3 A			
	5110.0443.1	4 A			
	5110.0643.1	6 A			
	5110.0843.1	8 A			
	5110.1043.1	10 A			
	5110.1543.1	15 A			
5110.0133.3	1 A	Medical	•		
5110.0233.3	2 A				
5110.0333.3	3 A				
5110.0433.3	4 A				
5110.0633.3	6 A				
5110.0833.3	8 A				
5110.1033.3	10 A				
5110.1533.3	15 A				
5110.0143.3	1 A	Medical			
5110.0243.3	2 A				
5110.0343.3	3 A				
5110.0443.3	4 A				
5110.0643.3	6 A				
5110.0843.3	8 A				
5110.1043.3	10 A				
5110.1543.3	15 A				

Accessories see page 171